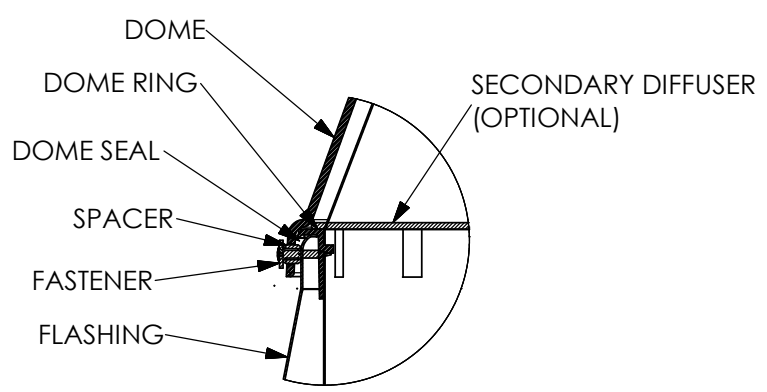
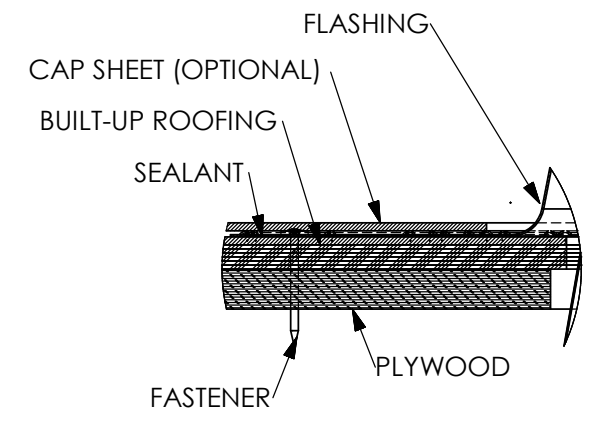


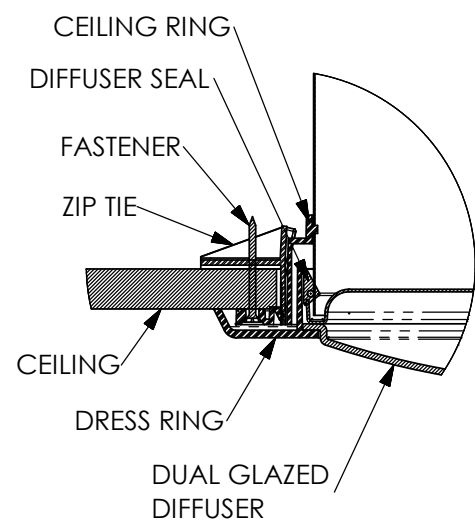
REVISIONS				
ECO	REV.	DESCRIPTION	DATE	INC.
	A	RELEASED	2/27/2004	



DETAIL B
SCALE 3 : 1



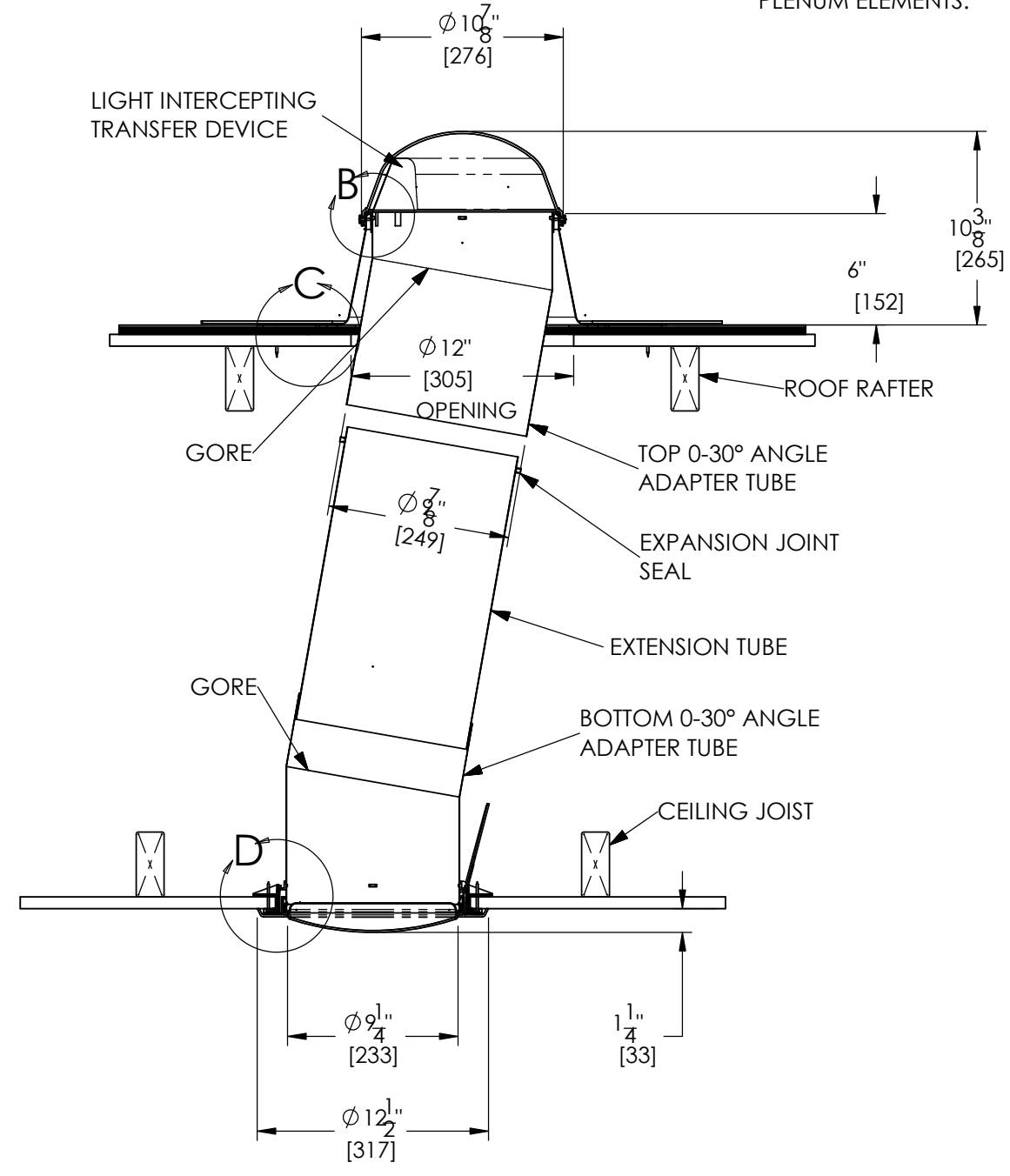
DETAIL C
SCALE 3 : 1



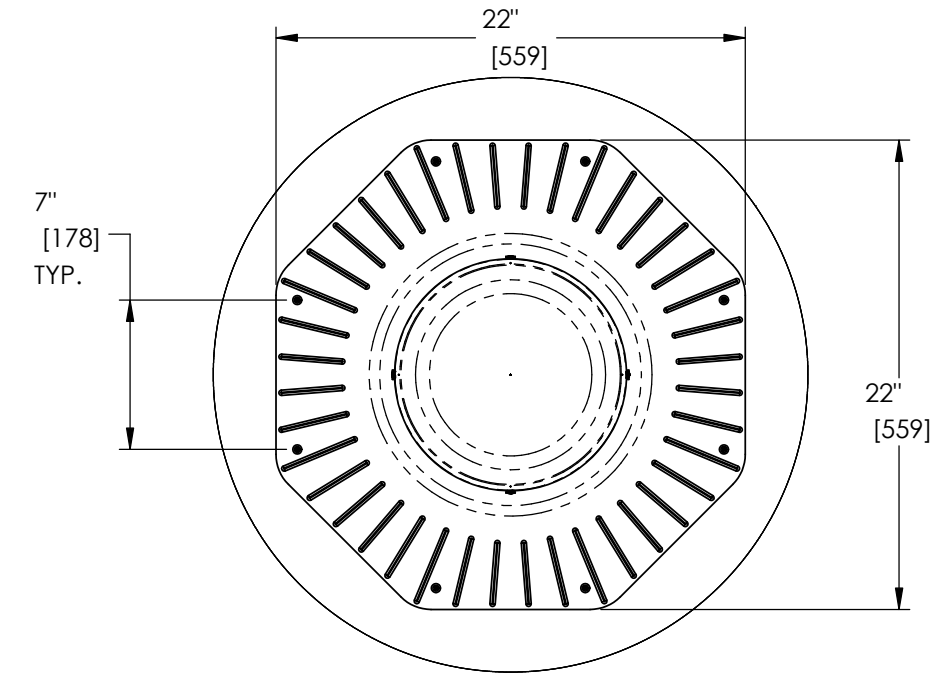
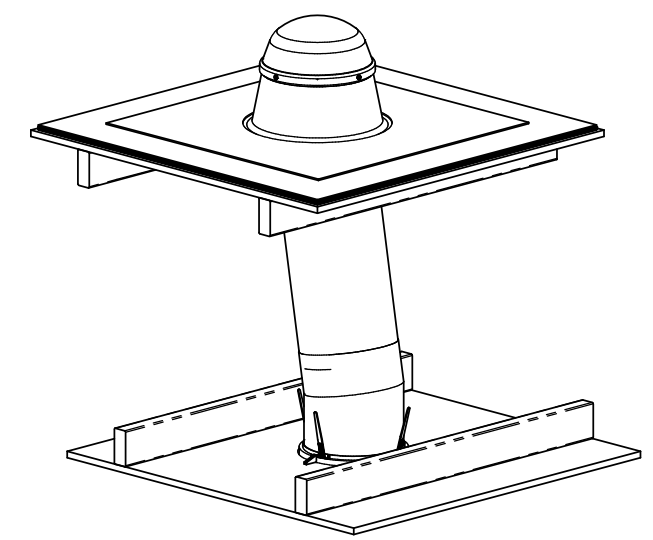
DETAIL D
SCALE 3 : 1

**10" SOLATUBE
6" SELF-FLASHING
HARD CEILING**

- NOTES:
1. DIMENSIONS IN BRACKETS ARE METRIC UNLESS OTHERWISE SPECIFIED.
 2. 6" MINIMUM CLEARANCE SHOULD BE MAINTAINED FROM ALL SOLATUBE COMPONENTS AND OTHER PLENUM ELEMENTS.



FULL SECTION
SCALE 1:1



TOP VIEW
SCALE 1:1

UNLESS OTHERWISE SPECIFIED: DIMENSIONS ARE IN INCHES TOLERANCES: ANGULAR: ±0.5° .X ± .1 .XX ± .02 MATERIALS ± .005		SOLATUBE INTERNATIONAL, INC. COPYRIGHT 2002 WWW.SOLATUBE.COM		 2210 OAK RIDGE WAY VISTA, CALIFORNIA 92081-8341 PH (760) 597-4400	
DRAWN BY STEVENS		DATE 2/23/04		TITLE: 10" SELF-FLASHING HARD CEILING	
CHECKED BY ---		DATE ---		SIZE: D	
APPROVED BY ---		DATE ---		DWG. NO.: 10-HC-SF6	
DO NOT SCALE DRAWING				REV: A	
				SCALE: 1:1	
				SHEET 1 OF 1	