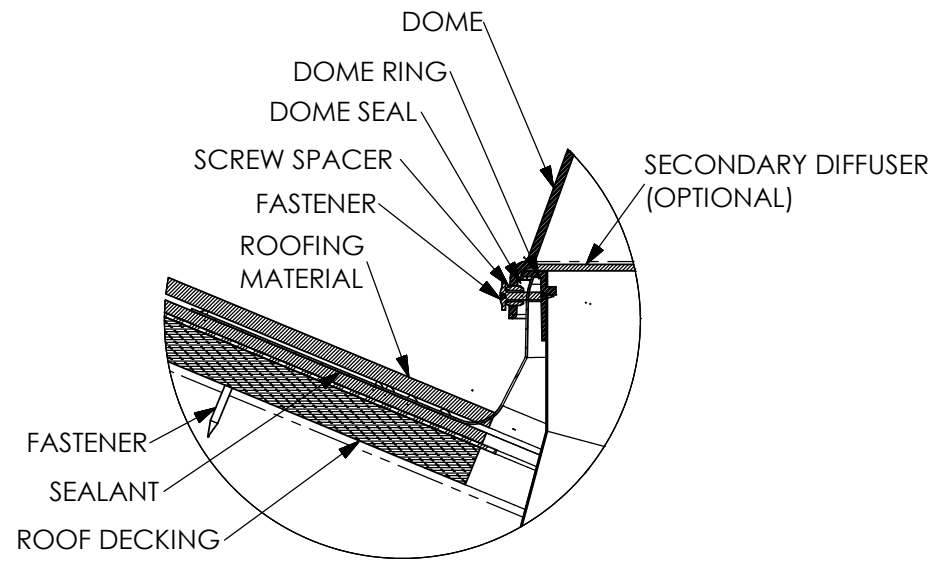


**10" SOLATUBE
PITCHED SELF FLASHING
HARD CEILING
W/ VENTED UNIT**

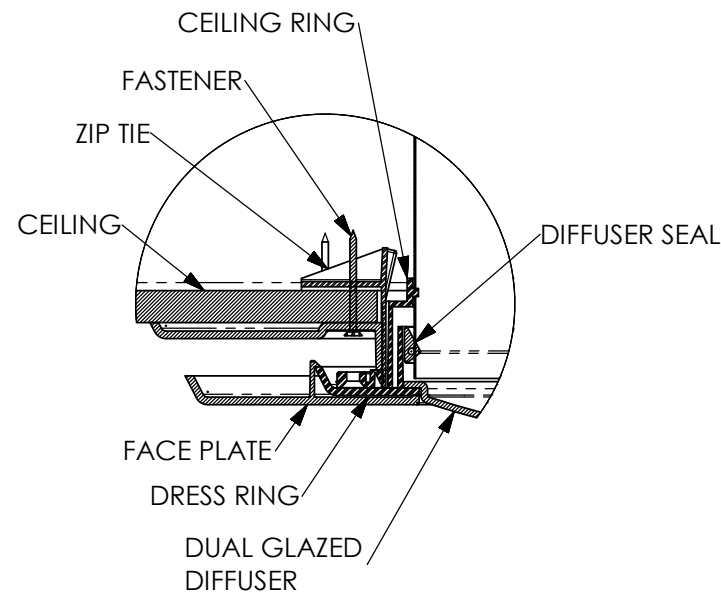
NOTES:

1. DIMENSIONS IN BRACKETS ARE METRIC UNLESS OTHERWISE SPECIFIED.
2. 6" MINIMUM CLEARANCE SHOULD BE MAINTAINED FROM ALL SOLATUBE COMPONENTS AND OTHER PLENUM COMPONENTS.

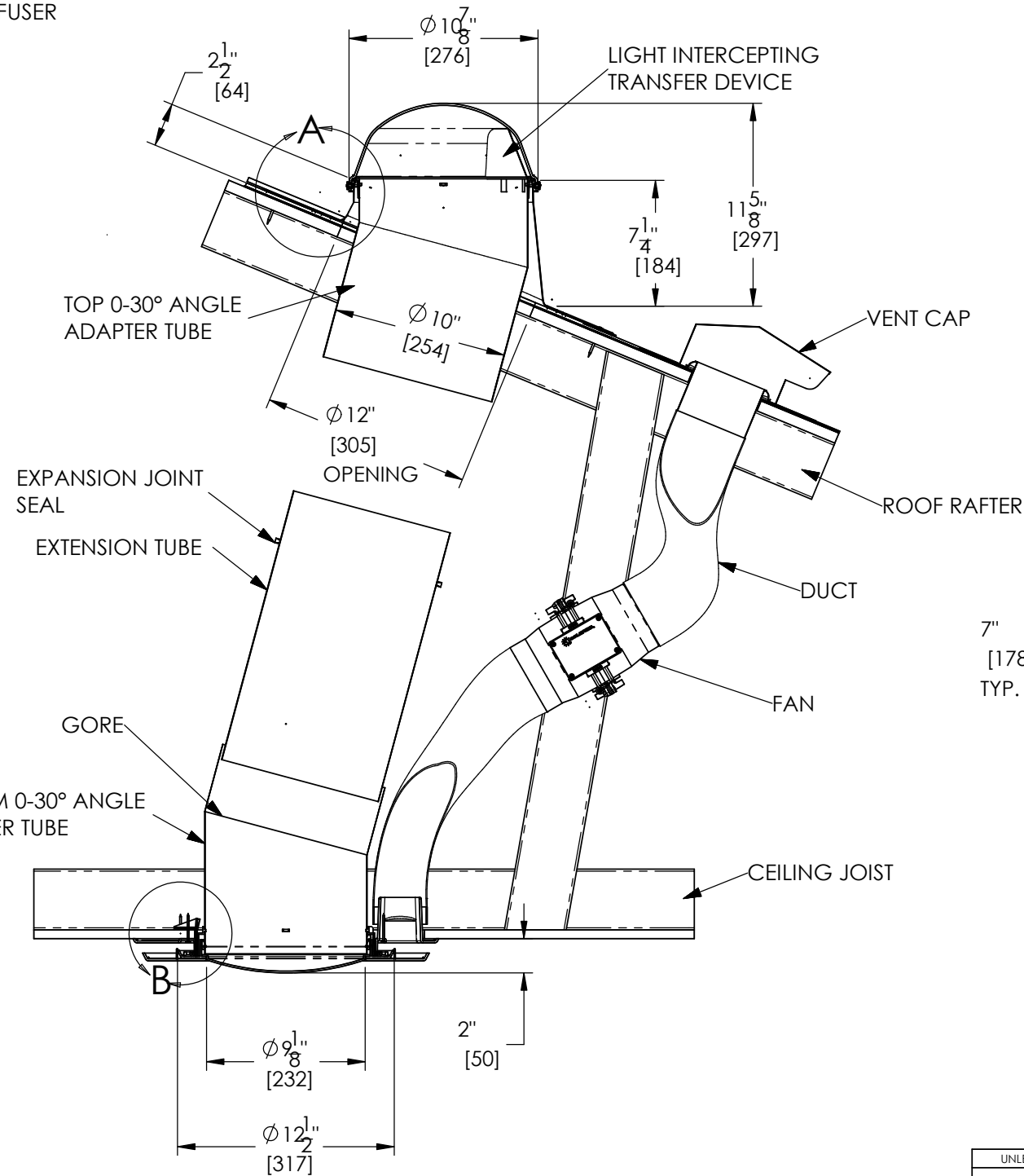
REVISIONS				
ECO	REV.	DESCRIPTION	DATE	INC.
	A	RELEASED	2/27/2004	



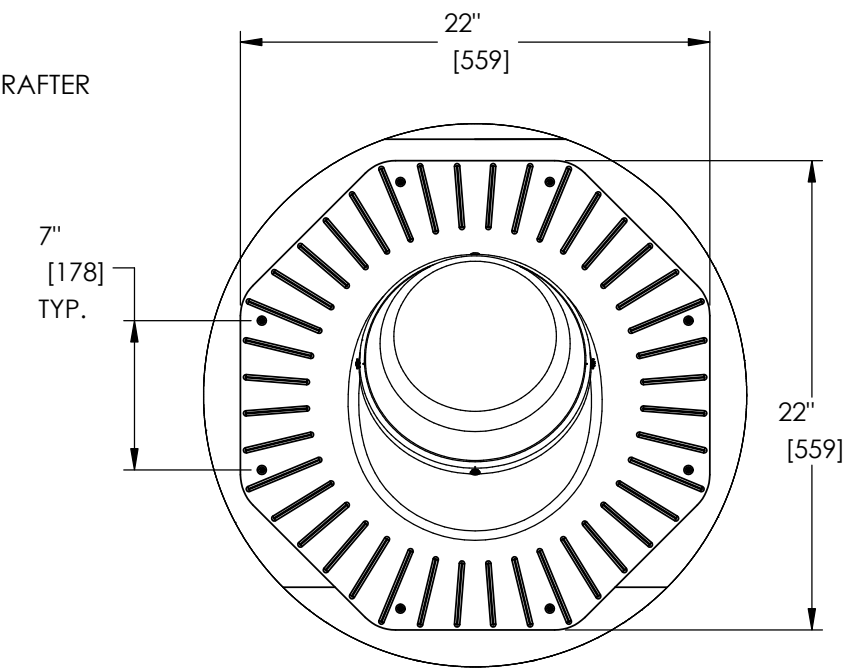
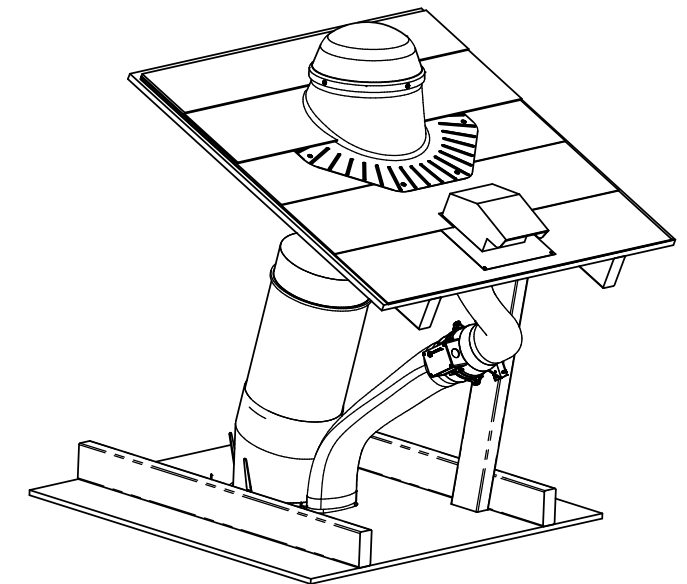
**DETAIL A
SCALE 3 : 1**



**DETAIL B
SCALE 3 : 1**



**FULL SECTION
SCALE 1:1**



**TOP VIEW
SCALE 1:1**

UNLESS OTHERWISE SPECIFIED:		SOLATUBE INTERNATIONAL, INC. COPYRIGHT 2002 WWW.SOLATUBE.COM			
DIMENSIONS ARE IN INCHES TOLERANCES: ANGULAR: ±0.5° .X ± .1 .XX ± .02 MATERIALS ± .005		DRAWN BY STEVENS		DATE 2/23/04	
FINISH --		CHECKED BY --		DATE --	
DO NOT SCALE DRAWING		APPROVED BY --		DATE --	
		TITLE: 10" PITCHED SELF FLASHING HARD CEILING W/ VENTED UNIT		REV A	
		SIZE D		DWG. NO. 10-HC-SFP-VENT	
		SCALE: 1:1		SHEET 1 OF 1	