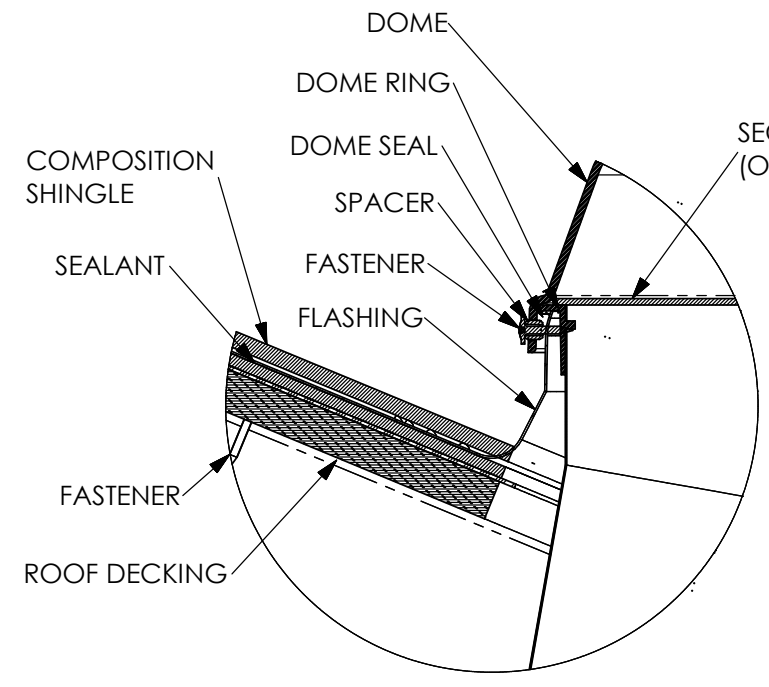


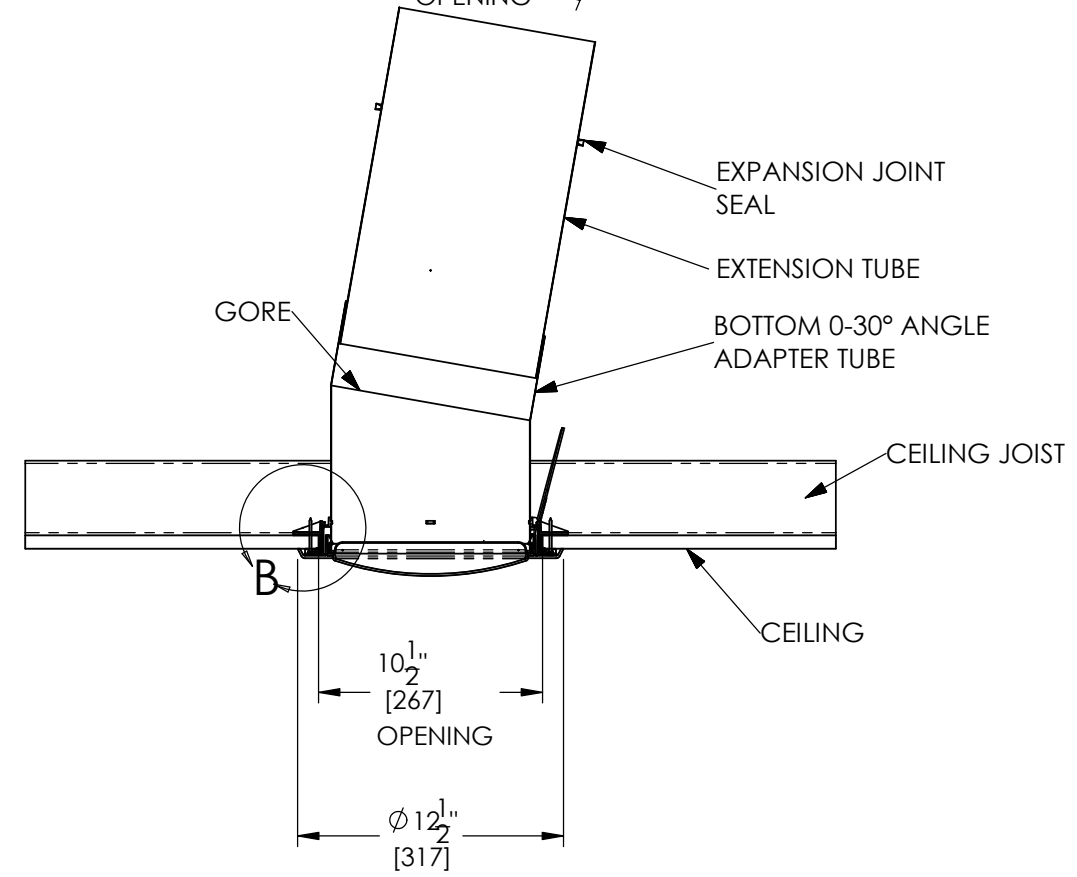
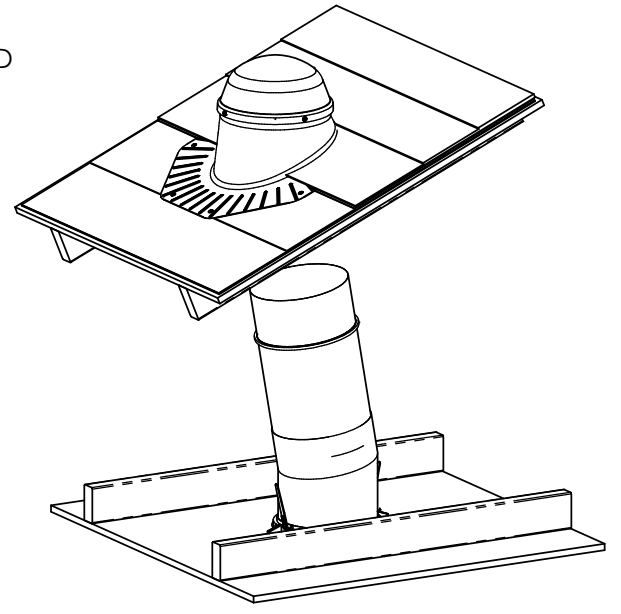
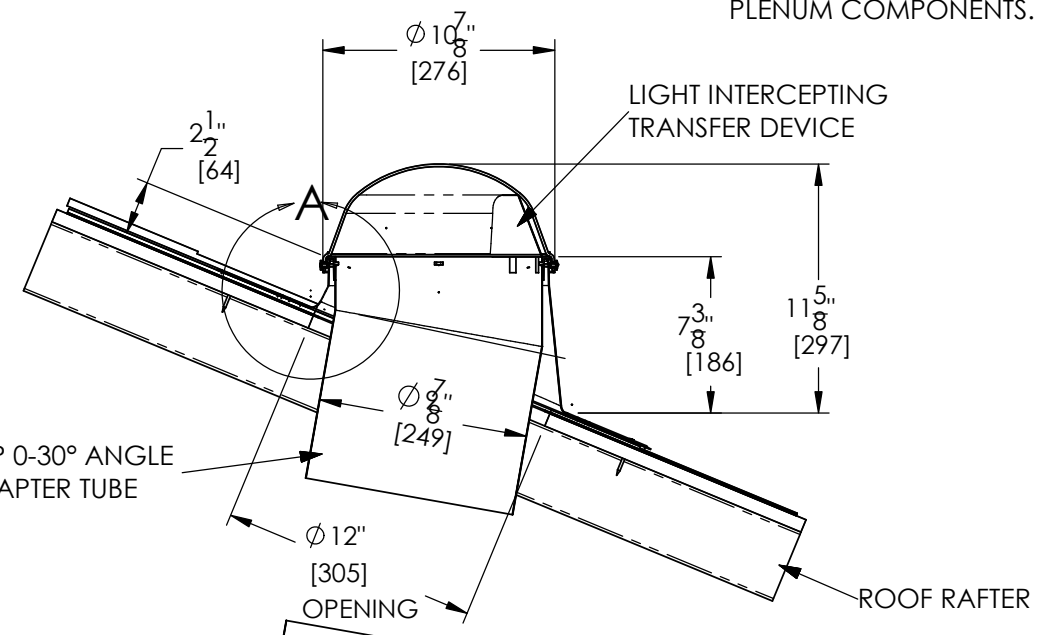
REVISIONS				
ECO	REV.	DESCRIPTION	DATE	INC.
	A	RELEASED	2/27/2004	

### 10" SOLATUBE PITCHED SELF FLASHING HARD CEILING

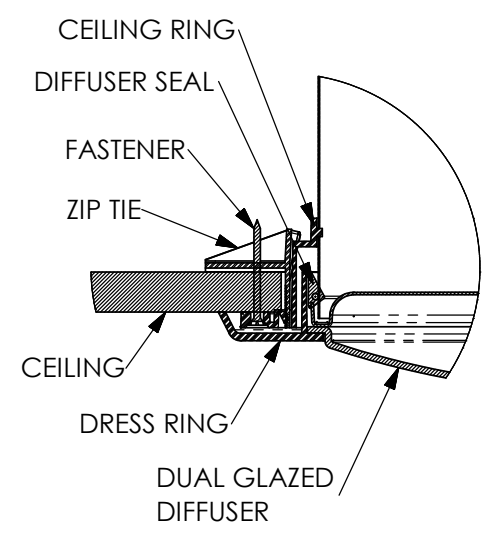
- NOTES:
1. DIMENSIONS IN BRACKETS ARE METRIC UNLESS OTHERWISE SPECIFIED.
  2. 6" MINIMUM CLEARANCE SHOULD BE MAINTAINED FROM ALL SOLATUBE COMPONENTS AND OTHER PLENUM COMPONENTS.



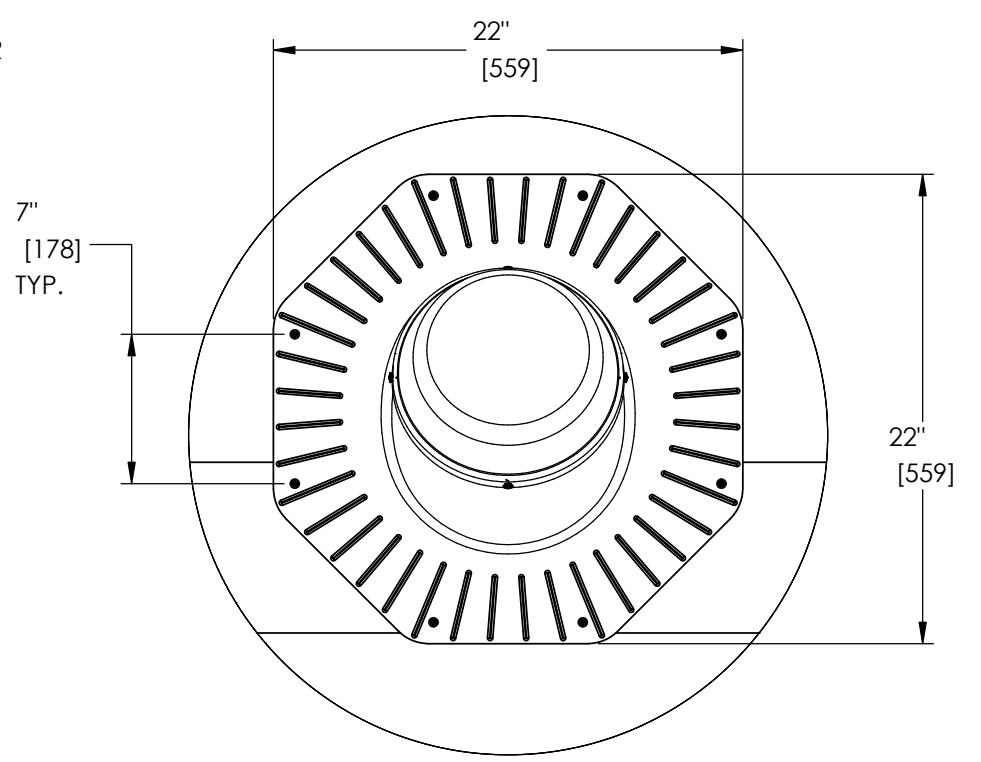
**DETAIL A  
SCALE 3 : 1**



**FULL SECTION  
SCALE 1:1**



**DETAIL B  
SCALE 3 : 1**



**TOP VIEW  
SCALE 1:1**

UNLESS OTHERWISE SPECIFIED:

DIMENSIONS ARE IN INCHES	
TOLERANCES:	
ANGULAR:	±0.5°
.X ± .1	
.XX ± .02	
MATERIALS ± .005	
FINISH	
DO NOT SCALE DRAWING	

SOLATUBE INTERNATIONAL, INC. COPYRIGHT 2002 WWW.SOLATUBE.COM	
DRAWN BY STEVENS	DATE 2/23/04
CHECKED BY	DATE
APPROVED BY	DATE

**SOLATUBE**  
2210 OAK RIDGE WAY  
VISTA, CALIFORNIA 92081-8341  
PH (760) 597-4400

TITLE: **10" PITCHED SELF FLASHING  
HARD CEILING**

SIZE <b>D</b>	DWG. NO. <b>10-HC-SFP</b>	REV <b>A</b>
SCALE: 1:1		SHEET 1 OF 1