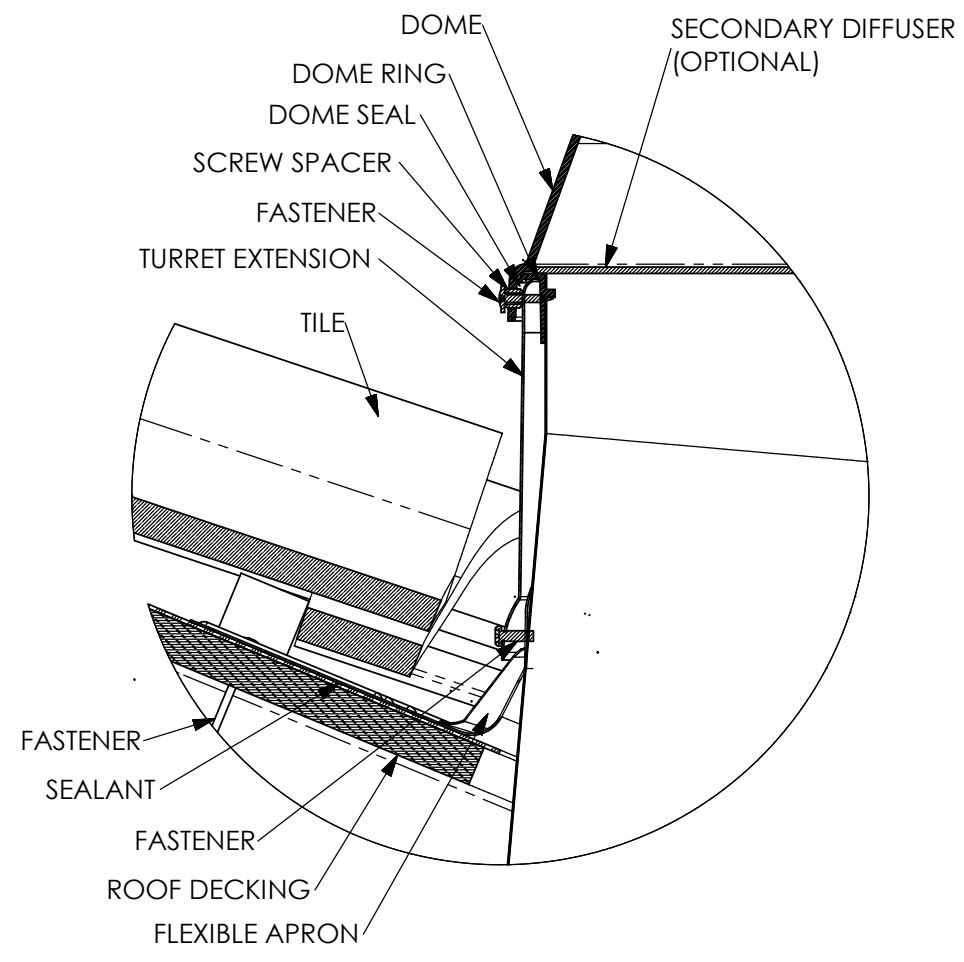


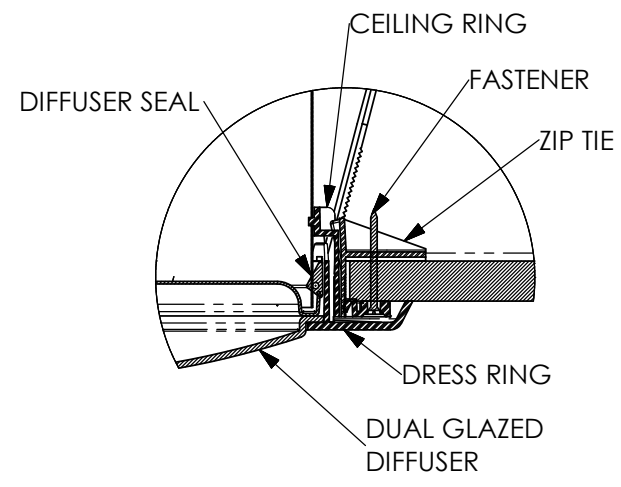
REVISIONS				
ECO	REV.	DESCRIPTION	DATE	INC.
	A	RELEASED	2/27/2004	

10" SOLATUBE TILE FLASHING HARD CEILING

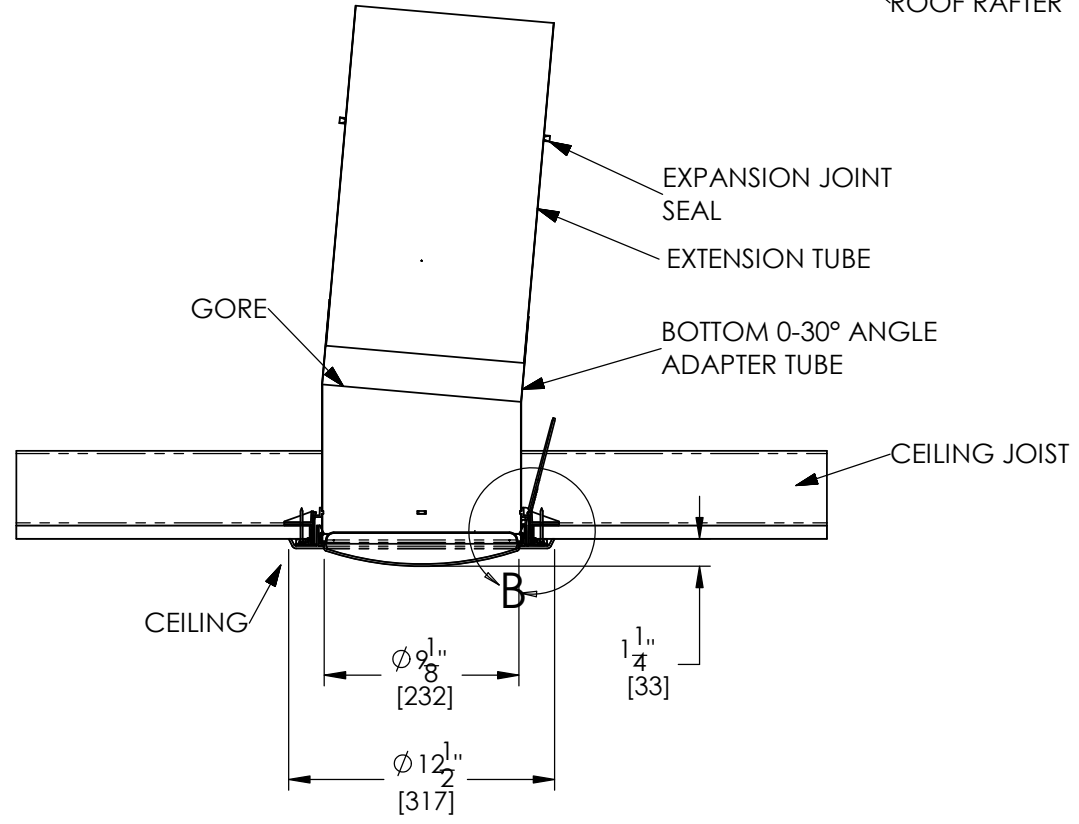
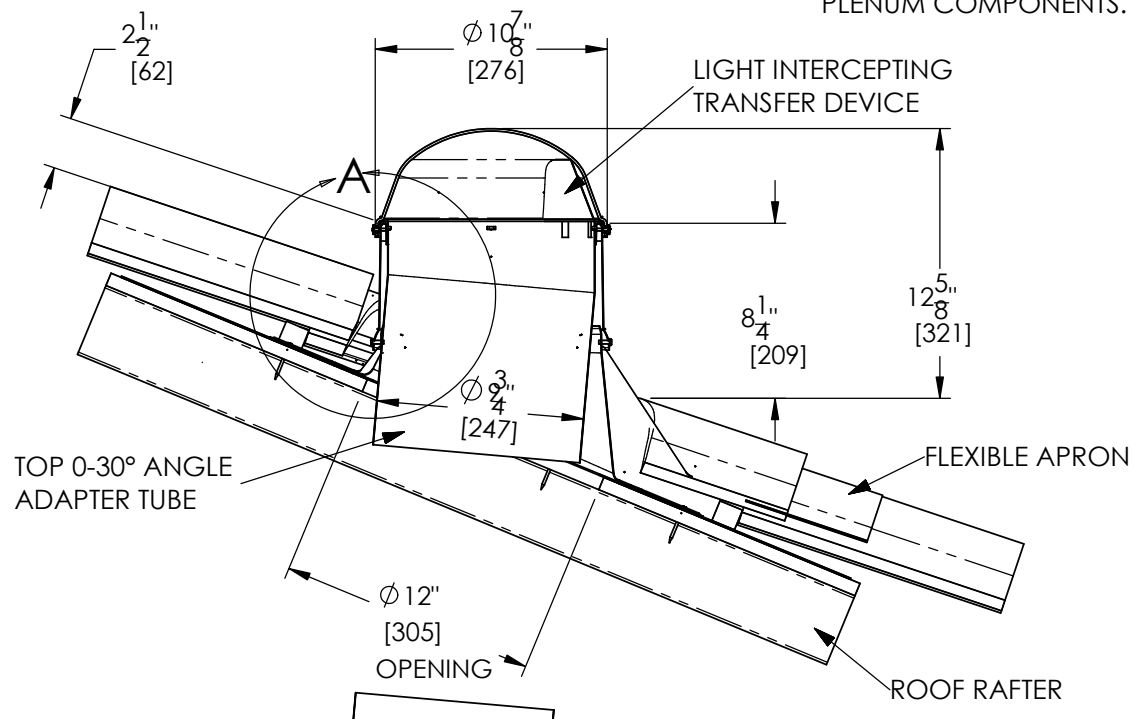
- NOTES:
1. DIMENSIONS IN BRACKETS ARE METRIC UNLESS OTHERWISE SPECIFIED.
 2. 6" MINIMUM CLEARANCE SHOULD BE MAINTAINED FROM ALL SOLATUBE COMPONENTS AND OTHER PLENUM COMPONENTS.



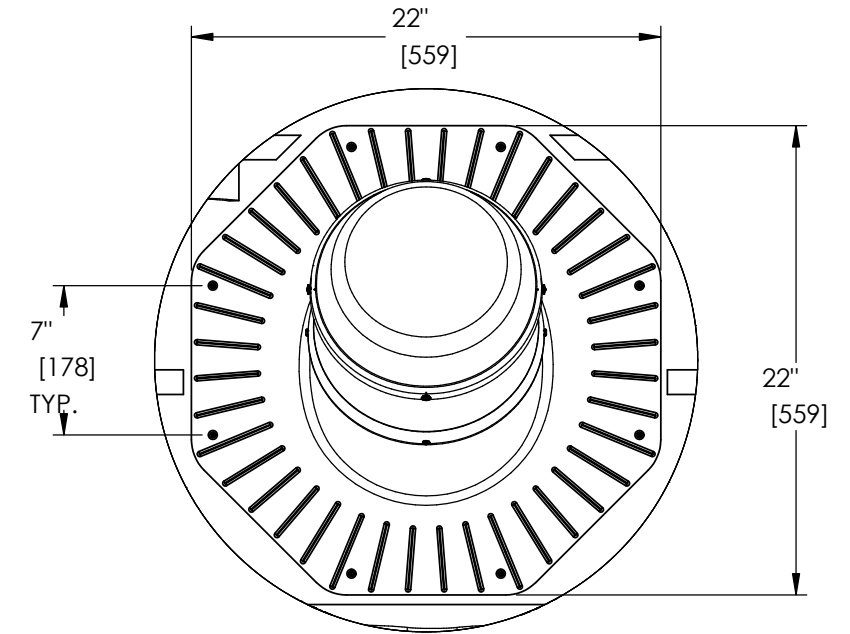
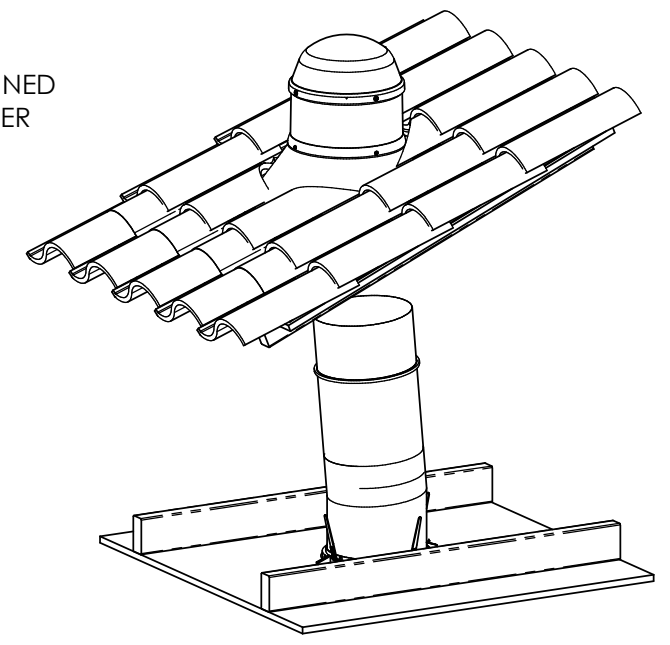
**DETAIL A
SCALE 3 : 1**



**DETAIL B
SCALE 3 : 1**



**FULL SECTION
SCALE 1:1**



**TOP VIEW
SCALE 1:1**

UNLESS OTHERWISE SPECIFIED:		SOLATUBE INTERNATIONAL, INC. COPYRIGHT 2002 WWW.SOLATUBE.COM			
DIMENSIONS ARE IN INCHES TOLERANCES: ANGULAR: ±0.5° .X ± .1 .XX ± .02 MATERIALS ± .005		DRAWN BY STEVENS	DATE 2/23/04	10" TILE FLASHING HARD CEILING	
FINISH --		CHECKED BY --	DATE --	SIZE D	REV A
DO NOT SCALE DRAWING		APPROVED BY --	DATE --	10-HC-TILE SCALE: 1:1 SHEET 1 OF 1	