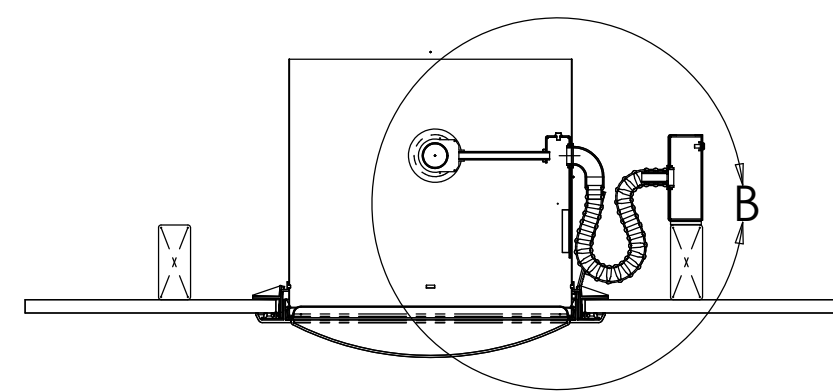
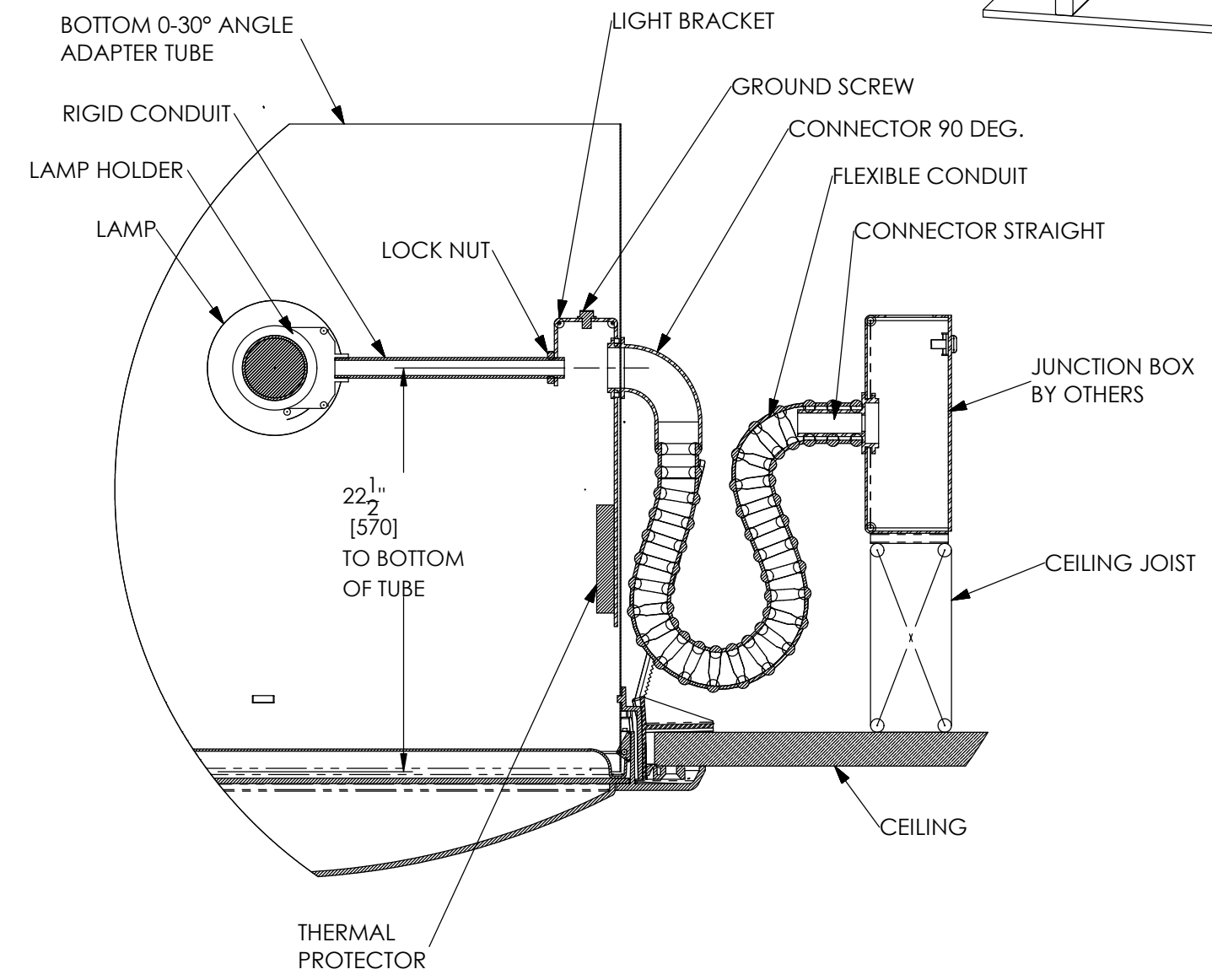
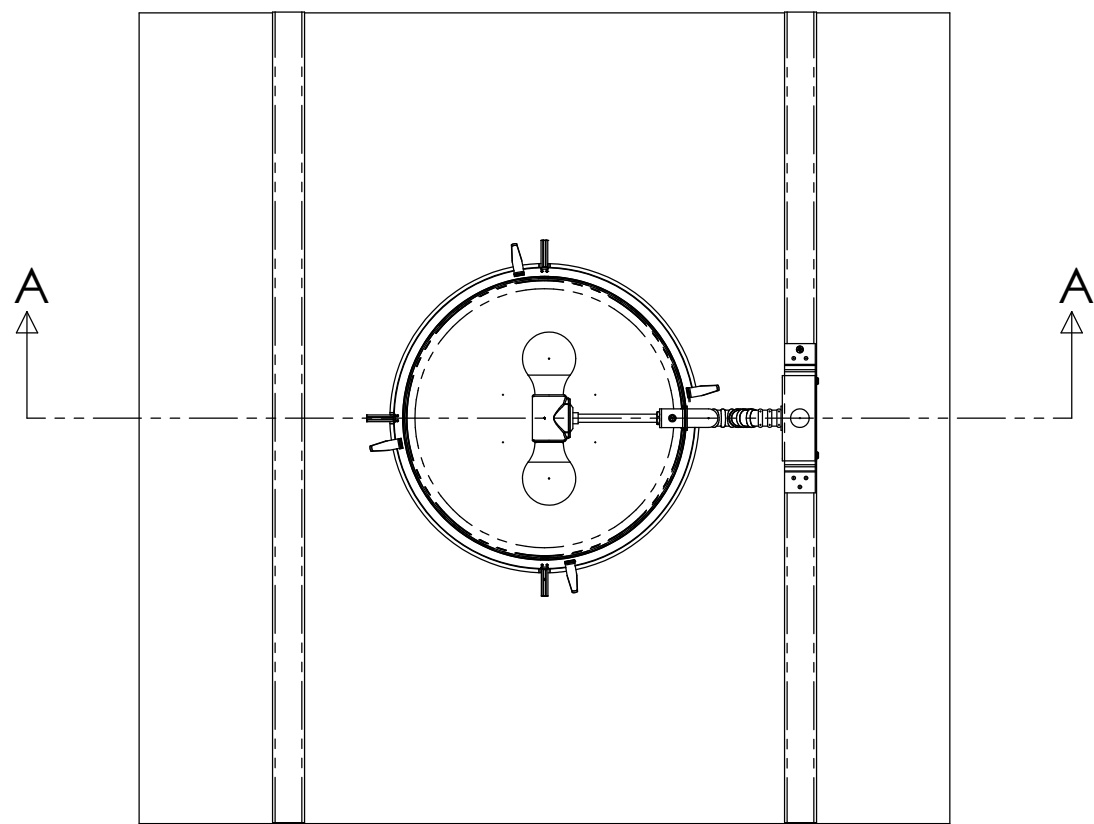
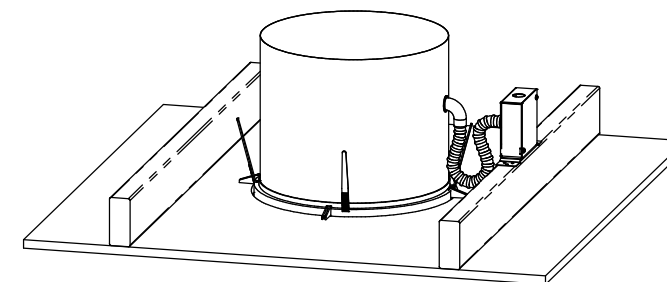


REVISIONS				
ECO	REV.	DESCRIPTION	DATE	INC.
	A	RELEASED	2/27/2004	

14" SOLATUBE INCANDESCENT LIGHT HARD CEILING



**FULL SECTION A-A
SCALE 1:1**

**DETAIL B
SCALE 3:1**

UNLESS OTHERWISE SPECIFIED:		SOLATUBE INTERNATIONAL, INC. COPYRIGHT 2002 WWW.SOLATUBE.COM	
DIMENSIONS ARE IN INCHES TOLERANCES: ANGULAR: ±0.5° .X ± .1 .XX ± .02 MATERIALS ± .005		DRAWN BY STEVENS	DATE 2/23/04
FINISH		CHECKED BY	DATE
DO NOT SCALE DRAWING		APPROVED BY	DATE

SOLATUBE
2210 OAK RIDGE WAY
VISTA, CALIFORNIA 92081-8341
PH (760) 597-4400

TITLE: **14" SOLATUBE
COMPACT FLUORESCENT LIGHT**

SIZE D	DWG. NO. 14-HC-INCAN	REV A
SCALE: 1:1		SHEET 1 OF 1