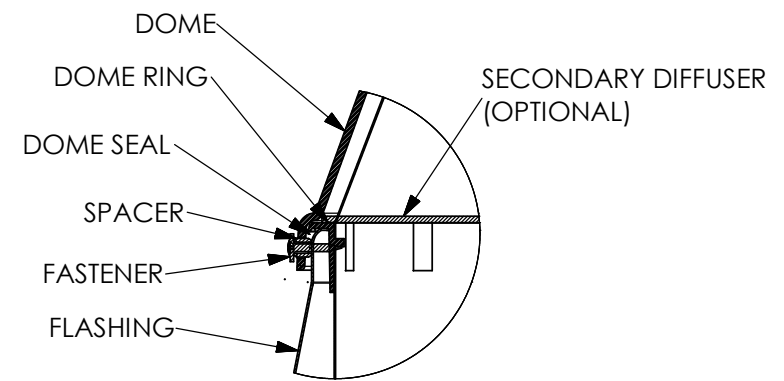


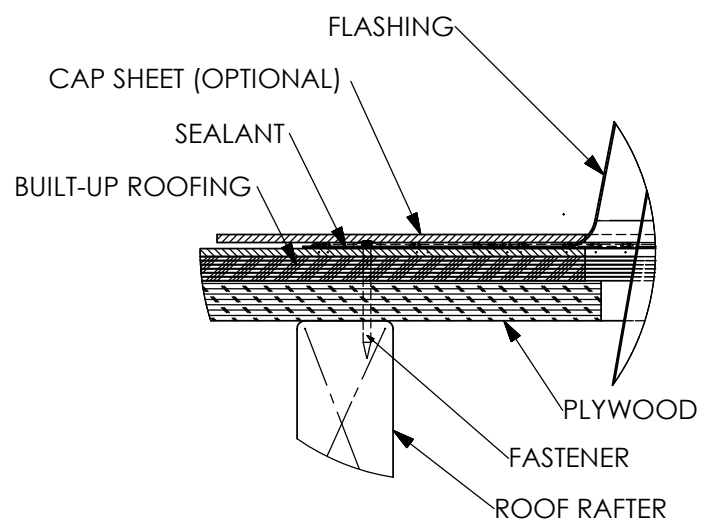
REVISIONS				
ECO	REV.	DESCRIPTION	DATE	INC.
	A	RELEASED	2/27/2004	

14" SOLATUBE 6" SELF FLASHING HARD CEILING

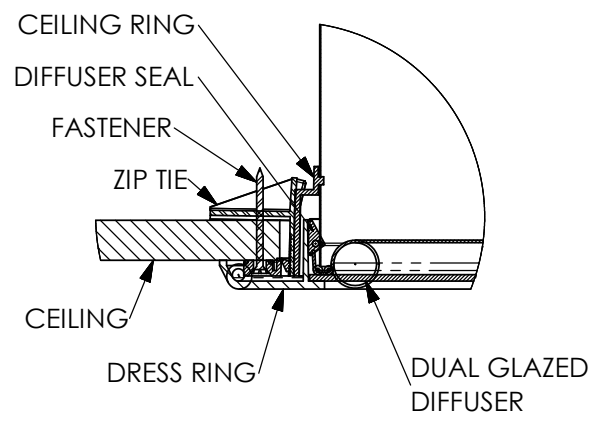
- NOTES:
1. DIMENSIONS IN BRACKETS ARE METRIC UNLESS OTHERWISE SPECIFIED.
 2. 6" MINIMUM CLEARANCE SHOULD BE MAINTAINED FROM ALL SOLATUBE COMPONENTS AND OTHER PLENUM ELEMENTS.



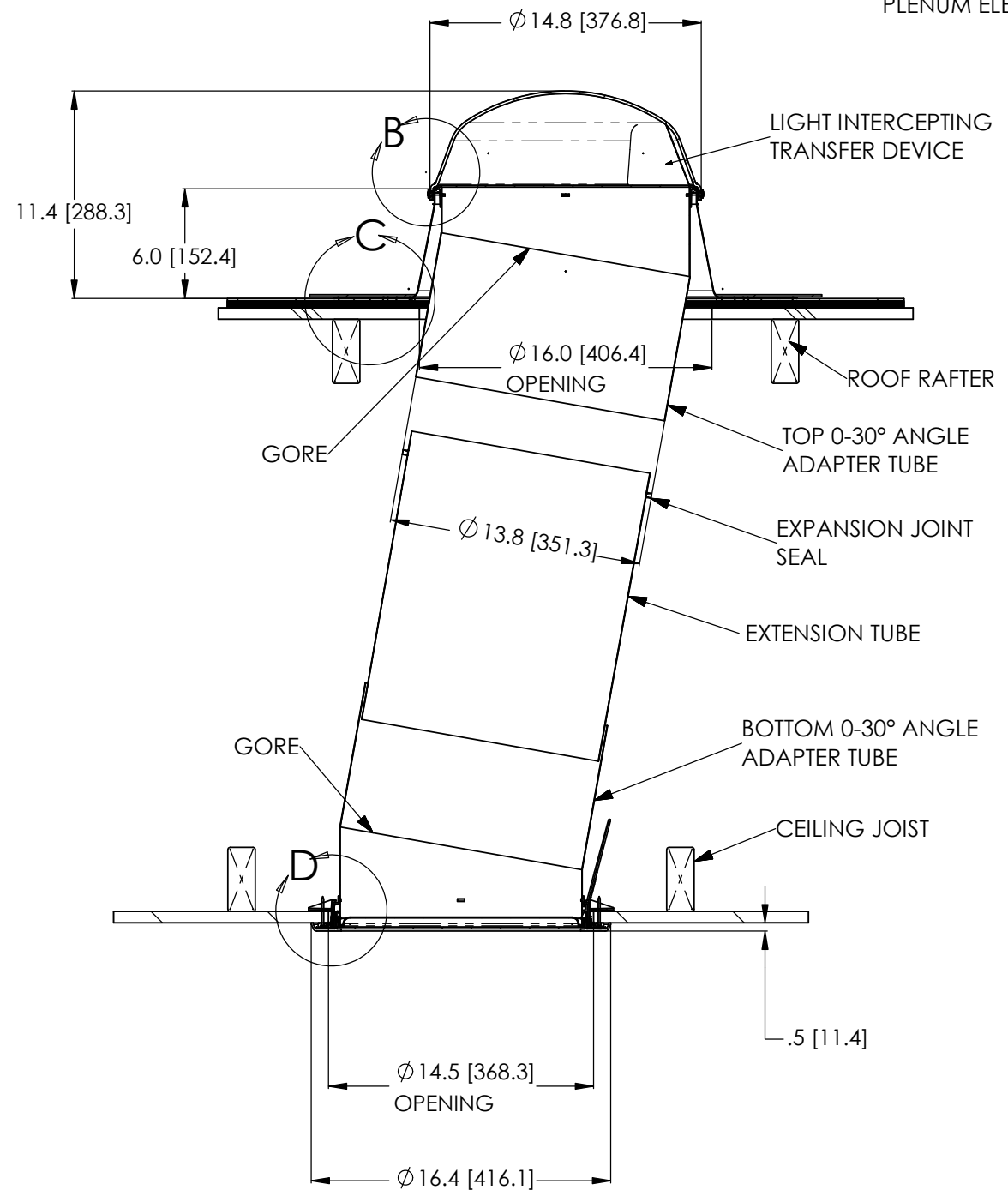
**DETAIL B
SCALE 3 : 1**



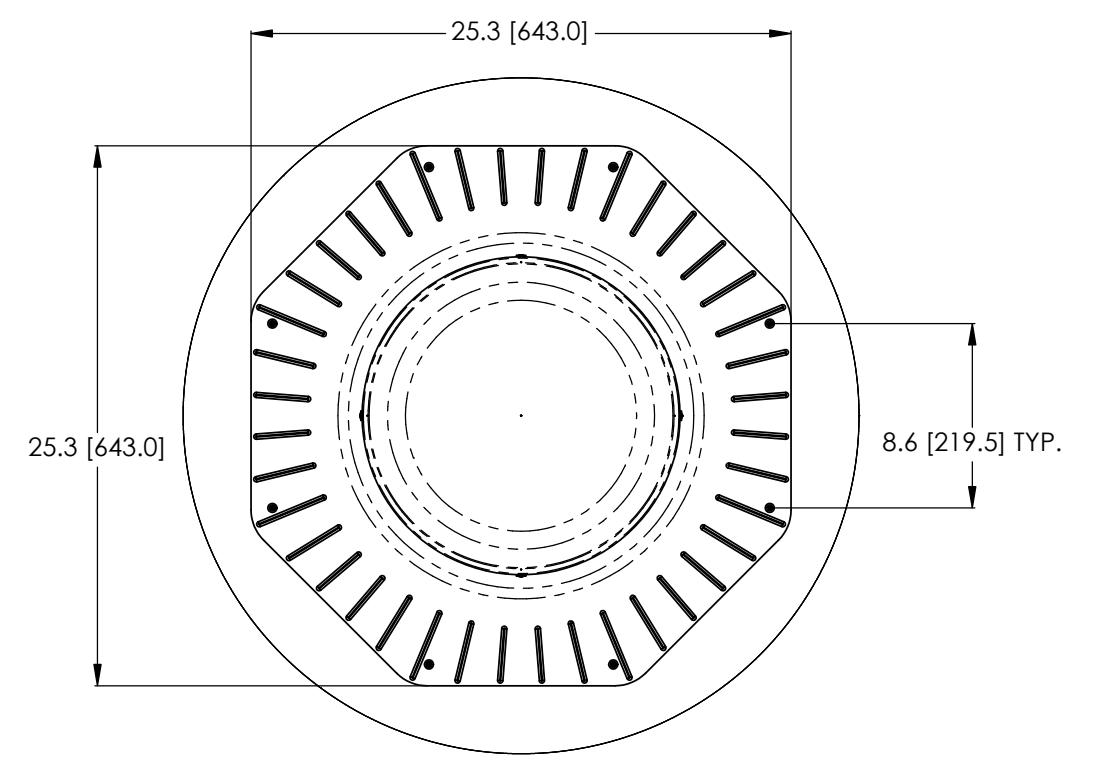
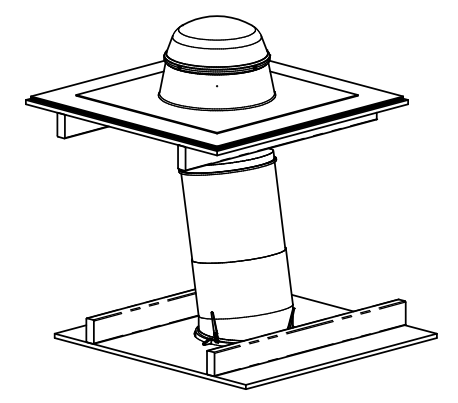
**DETAIL C
SCALE 3 : 1**



**DETAIL D
SCALE 3 : 1**



**FULL SECTION
SCALE 1:1**



**TOP VIEW
SCALE 1 : 1**

UNLESS OTHERWISE SPECIFIED: DIMENSIONS ARE IN INCHES TOLERANCES: ANGULAR: ±0.5° .X ± .1 .XX ± .02 MATERIAL: .005		SOLATUBE INTERNATIONAL, INC. COPYRIGHT 2002 WWW.SOLATUBE.COM		 2210 OAK RIDGE WAY VISTA, CALIFORNIA 92081-8341 PH (760) 597-4400	
DRAWN BY STEVENS		DATE 2/23/04		14" SELF-FLASHING HARD CEILING	
CHECKED BY		DATE		SIZE D	DWG. NO. 14-HC-SF6
APPROVED BY		DATE		REV A	SCALE: 1:1
DO NOT SCALE DRAWING				SHEET 1 OF 1	