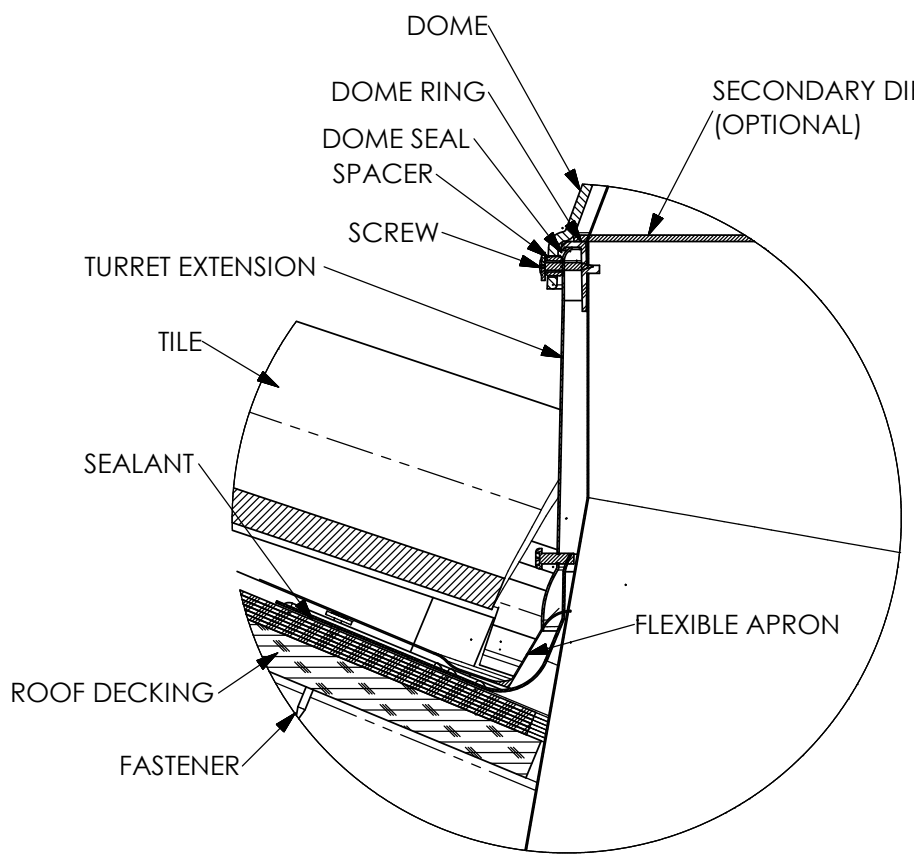


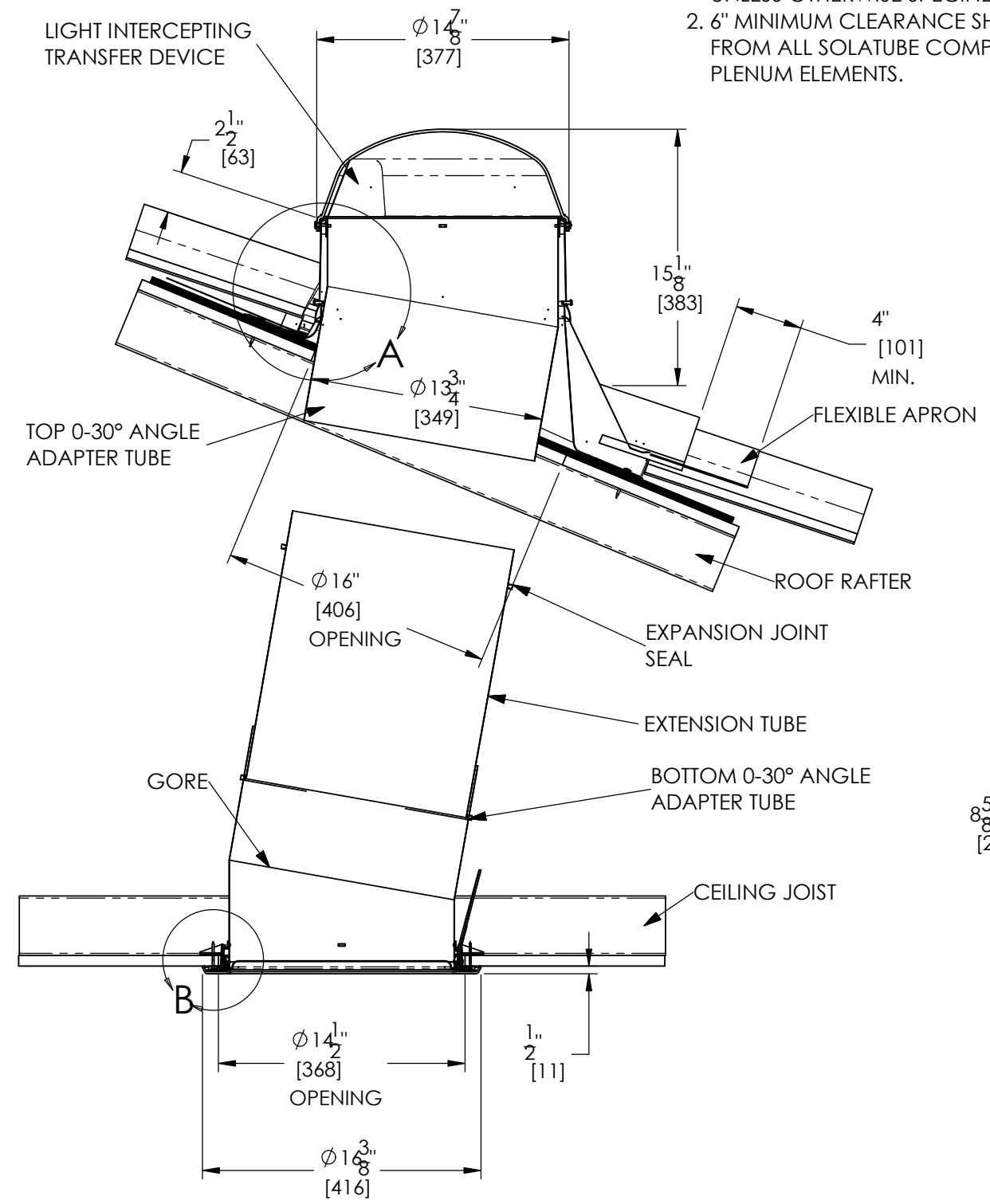
REVISIONS				
ECO	REV.	DESCRIPTION	DATE	INC.
	A	RELEASED	2/27/2004	

14" SOLATUBE TILE FLASHING HARD CEILING

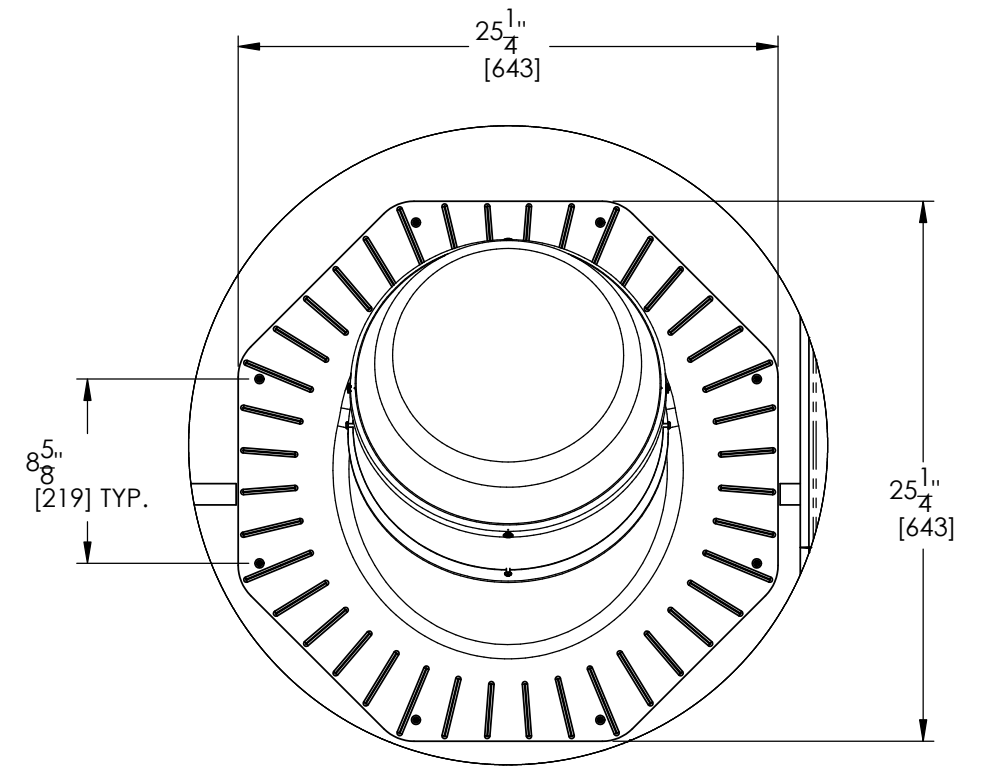
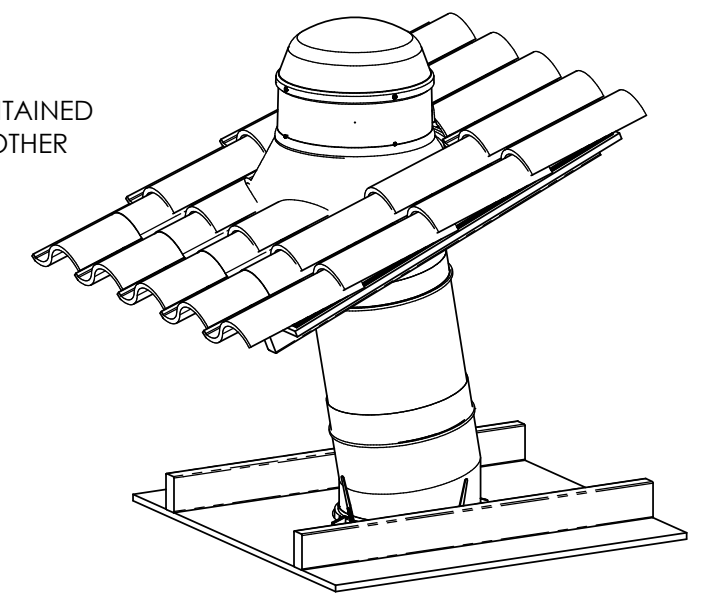
- NOTES:
1. DIMENSIONS IN BRACKETS ARE METRIC UNLESS OTHERWISE SPECIFIED.
 2. 6" MINIMUM CLEARANCE SHOULD BE MAINTAINED FROM ALL SOLATUBE COMPONENTS AND OTHER PLENUM ELEMENTS.



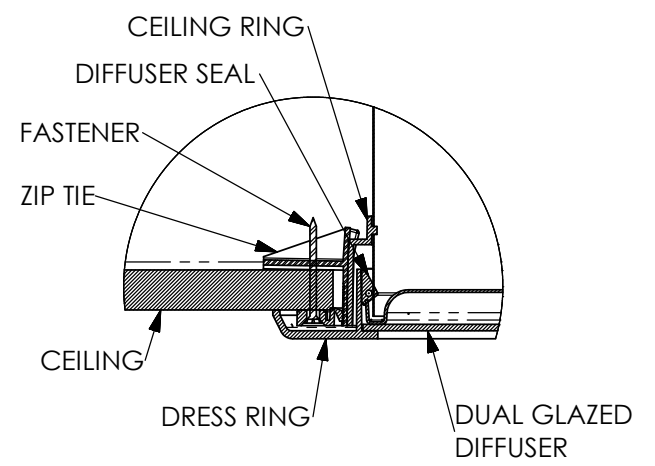
**DETAIL A
SCALE 3 : 1**




**FULL SECTION
SCALE 1:1**



**TOP VIEW
SCALE 1:1**



**DETAIL B
SCALE 3 : 1**

UNLESS OTHERWISE SPECIFIED:		SOLATUBE INTERNATIONAL, INC. COPYRIGHT 2002 WWW.SOLATUBE.COM		 2210 OAK RIDGE WAY VISTA, CALIFORNIA 92081-8341 PH (760) 597-4400	
DIMENSIONS ARE IN INCHES TOLERANCES: ANGULAR: $\pm 0.5^\circ$.X $\pm .1$.XX $\pm .02$ MATERIALS $\pm .005$		DRAWN BY STEVENS	DATE 2/23/04	TITLE: 14" TILE FLASHING HARD CEILING	
FINISH --	DO NOT SCALE DRAWING	CHECKED BY --	DATE --	SIZE D	DWG. NO. 14-HC-TILE
		APPROVED BY --	DATE --	REV A	SHEET 1 OF 1