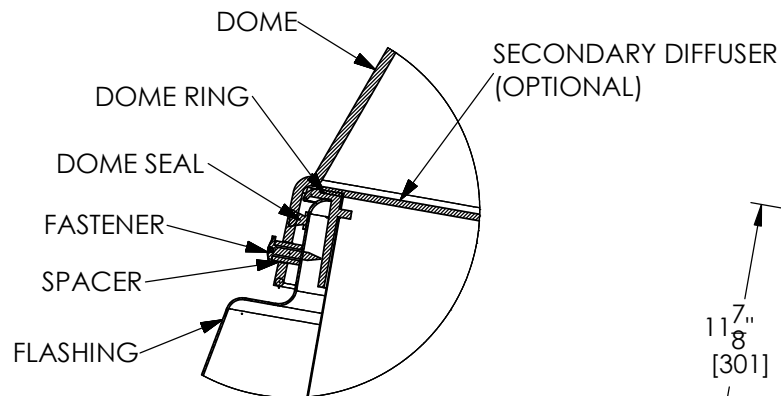
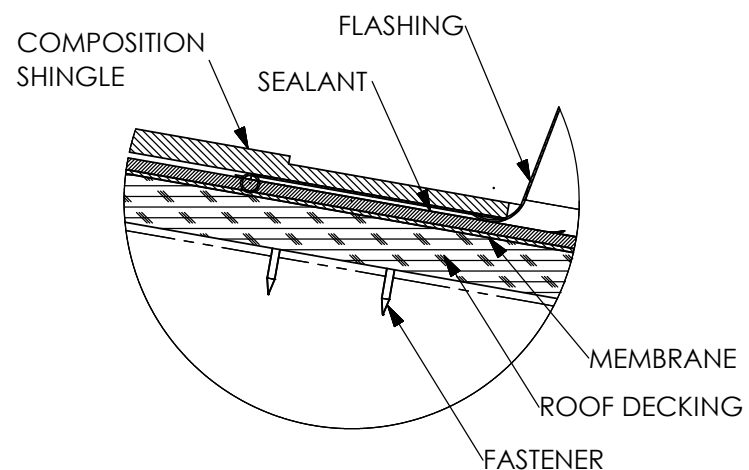


21" SOLATUBE PITCHED ROOF 4" SELF FLASHING HARD CEILING

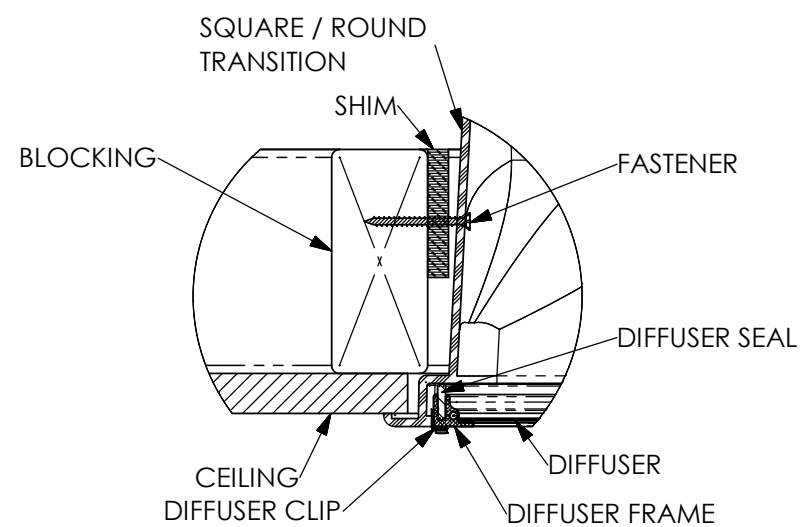
| REVISIONS | | | | |
|-----------|------|-------------|-----------|------|
| ECO | REV. | DESCRIPTION | DATE | INC. |
| | A | RELEASED | 2/27/2004 | |



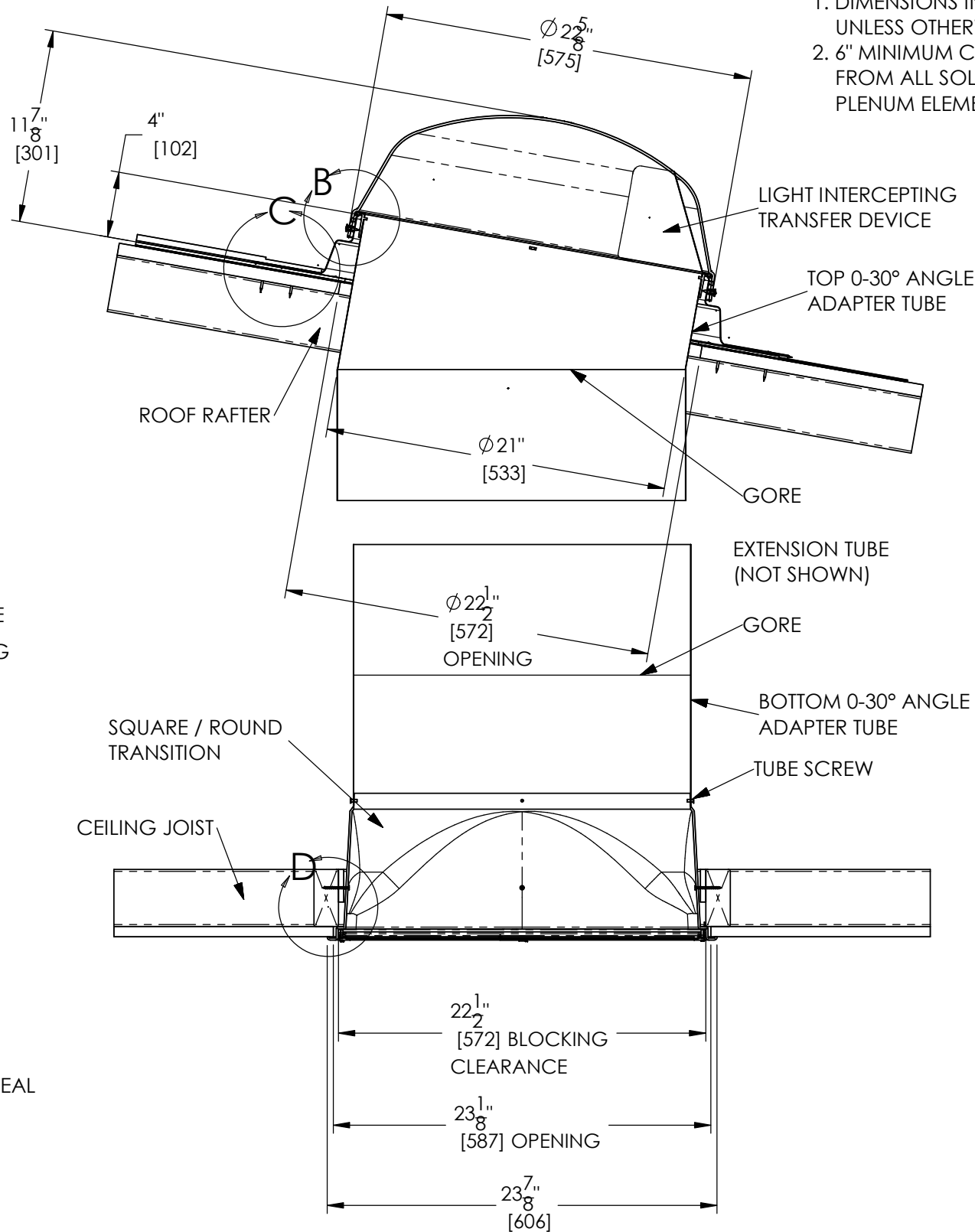
**DETAIL B
SCALE 3 : 1**



**DETAIL C
SCALE 3 : 1**



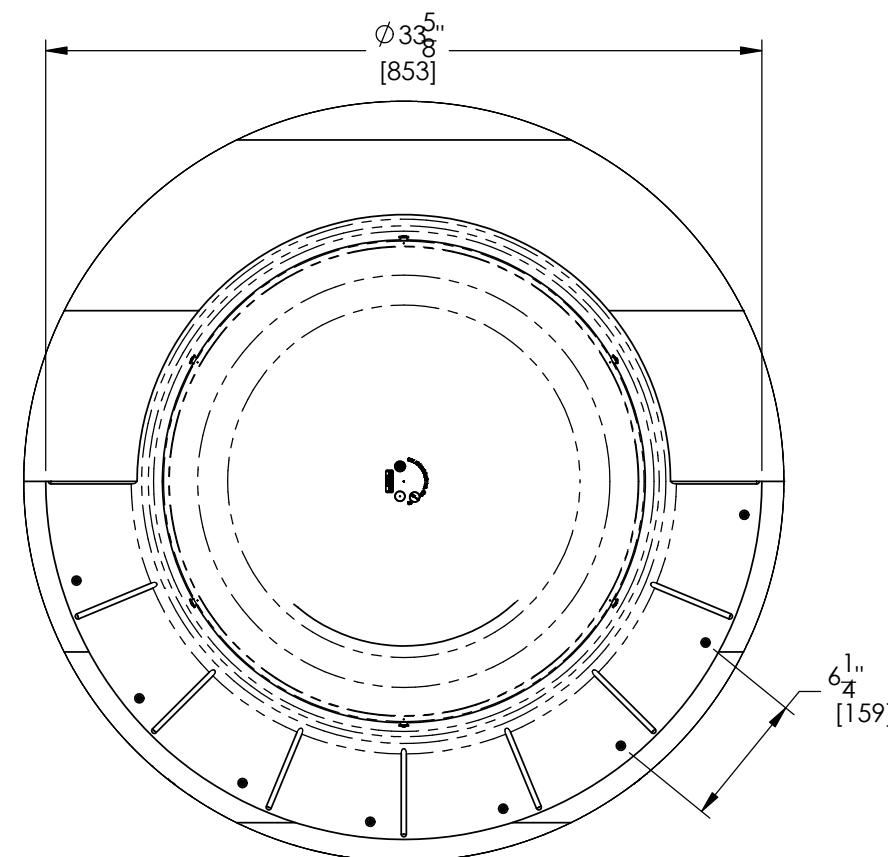
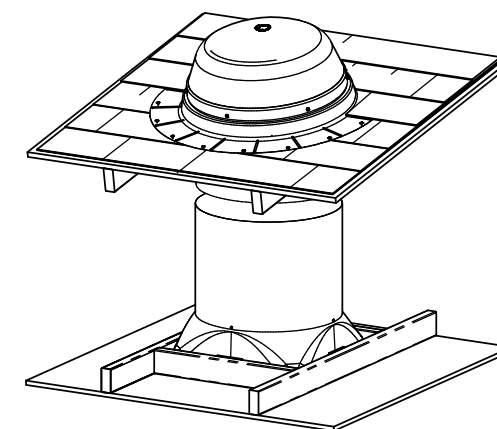
**DETAIL D
SCALE 3 : 1**



**FULL SECTION
SCALE 1:1**

NOTES:

1. DIMENSIONS IN BRACKETS ARE METRIC UNLESS OTHERWISE SPECIFIED.
2. 6" MINIMUM CLEARANCE SHOULD BE MAINTAINED FROM ALL SOLATUBE COMPONENTS AND OTHER PLENUM ELEMENTS.



**TOP VIEW
SCALE 1:1**

| | | | | | |
|--|--|--|--|--|--|
| UNLESS OTHERWISE SPECIFIED: DIMENSIONS ARE IN INCHES TOLERANCES: ANGULAR: ±0.5° .X ± .1 .XX ± .02 MATERIALS ± .005 | | SOLATUBE INTERNATIONAL, INC. COPYRIGHT 2002 WWW.SOLATUBE.COM | | <p>SOLATUBE 2210 OAK RIDGE WAY VISTA, CALIFORNIA 92081-8341 PH (760) 597-4400</p> | |
| DRAWN BY STEVENS | | DATE 2/23/04 | | TITLE: 21" PITCHED ROOF SELF FLASHING HARD CEILING | |
| CHECKED BY | | DATE | | SIZE: D | |
| APPROVED BY | | DATE | | DWG. NO.: 21-SF-HC-PITCHED | |
| DO NOT SCALE DRAWING | | | | REV: A | |
| | | | | SCALE: 1:1 SHEET 1 OF 1 | |