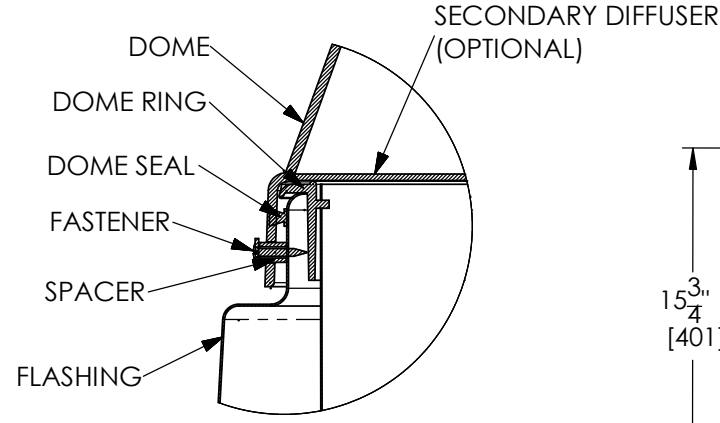
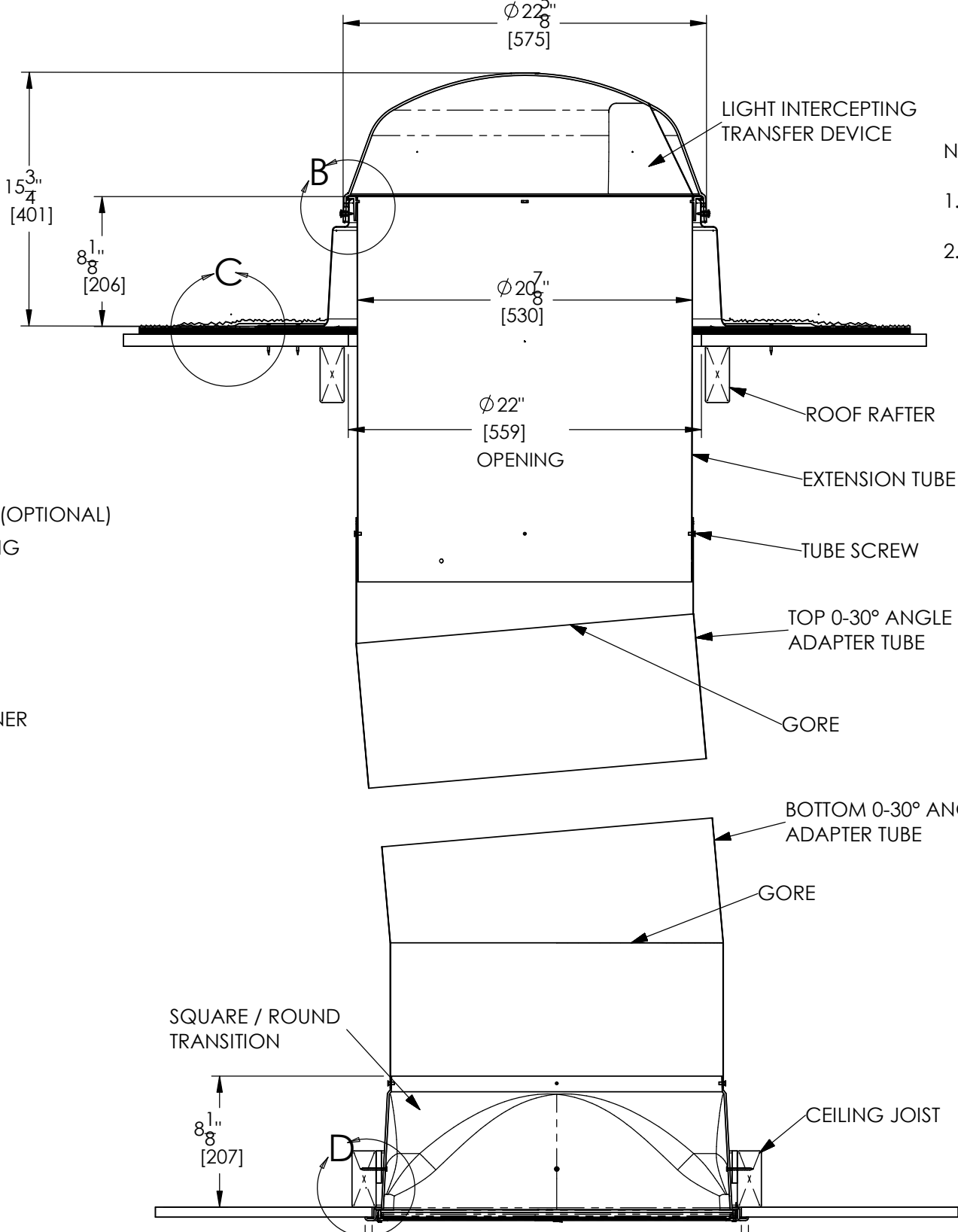


REVISIONS				
ECO	REV.	DESCRIPTION	DATE	INC.
	A	RELEASED	3/11/2004	

**21" SOLATUBE  
8" SELF FLASHING  
HARD CEILING**



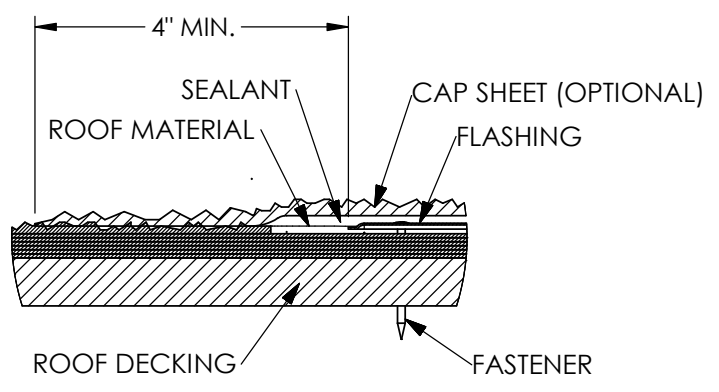
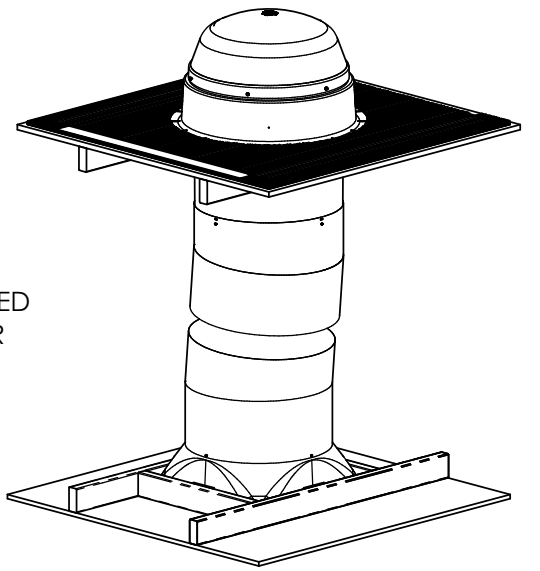
**DETAIL B  
SCALE 3 : 1**



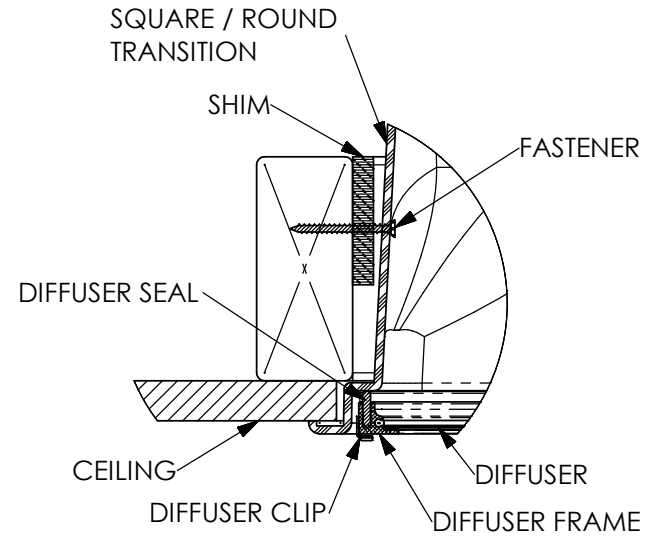
**FULL SECTION  
SCALE 1:1**

**NOTES:**

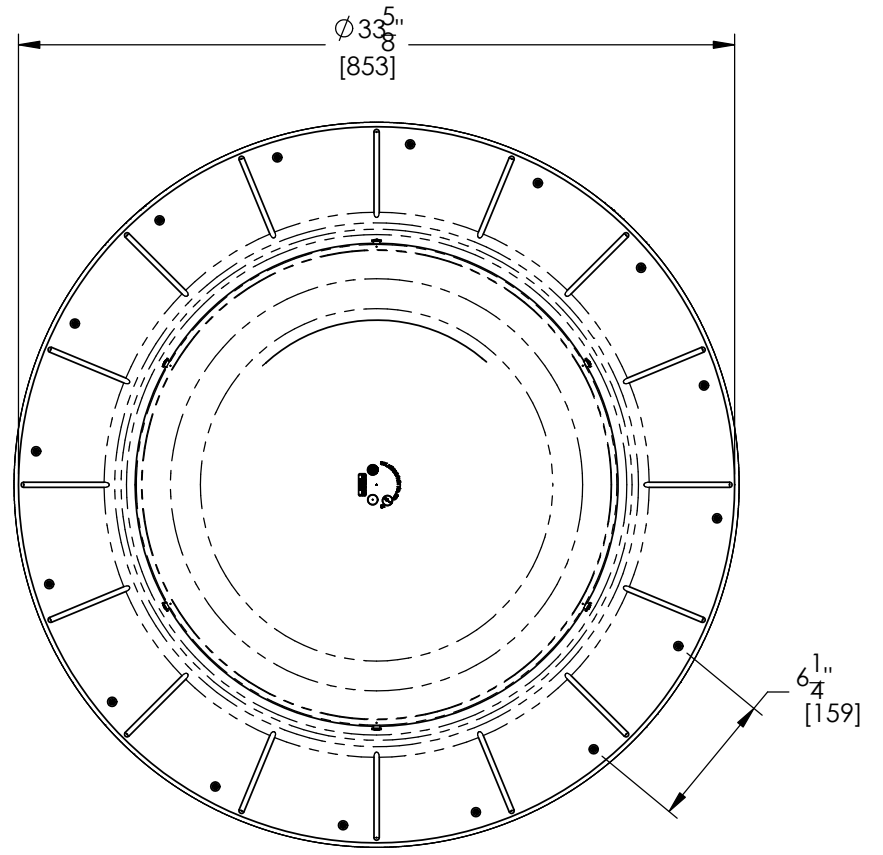
1. DIMENSIONS IN BRACKETS ARE METRIC UNLESS OTHERWISE SPECIFIED.
2. 6" MINIMUM CLEARANCE SHOULD BE MAINTAINED FROM ALL SOLATUBE COMPONENTS AND OTHER PLENUM COMPONENTS.



**DETAIL C  
SCALE 3 : 1**



**DETAIL D  
SCALE 3 : 1**



**TOP VIEW  
SCALE 1 : 1**

UNLESS OTHERWISE SPECIFIED: DIMENSIONS ARE IN INCHES TOLERANCES: ANGULAR: ±0.5° .X ± .1 .XX ± .02 MATERIAL: .XX ± .005		SOLATUBE INTERNATIONAL, INC. COPYRIGHT 2002 WWW.SOLATUBE.COM		 2210 OAK RIDGE WAY VISTA, CALIFORNIA 92081-8341 PH (760) 597-4400	
DRAWN BY STEVENS		DATE 2/23/04		<b>21" SELF FLASHING HARD CEILING</b>	
CHECKED BY ---		DATE ---		SIZE: <b>D</b> DWG. NO.: <b>21-SF-HC</b> REV: <b>A</b>	
APPROVED BY ---		DATE ---		SCALE: 1:1 SHEET 1 OF 1	
DO NOT SCALE DRAWING					