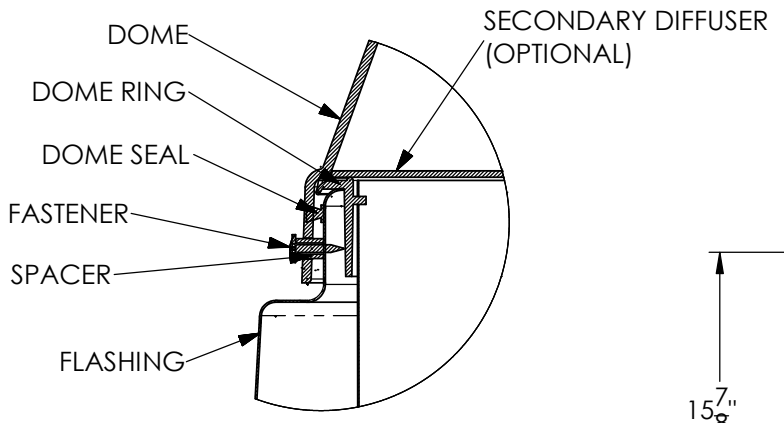
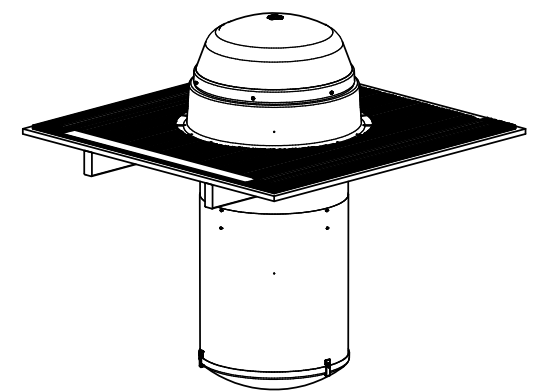


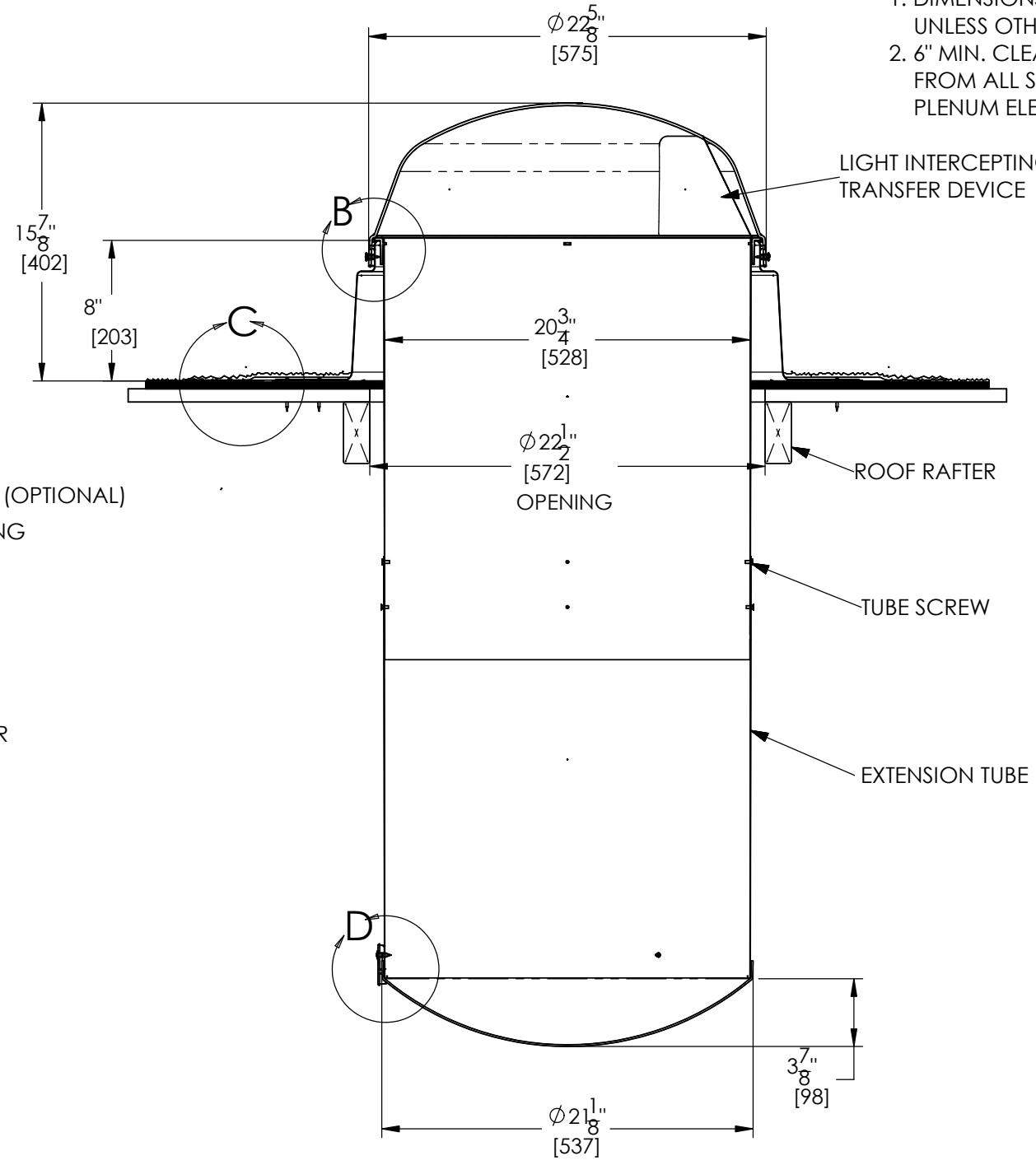
REVISIONS				
ECO	REV.	DESCRIPTION	DATE	INC.
	A	RELEASED	2/27/2004	

21" SOLATUBE 8" SELF-FLASHING OPEN CEILING

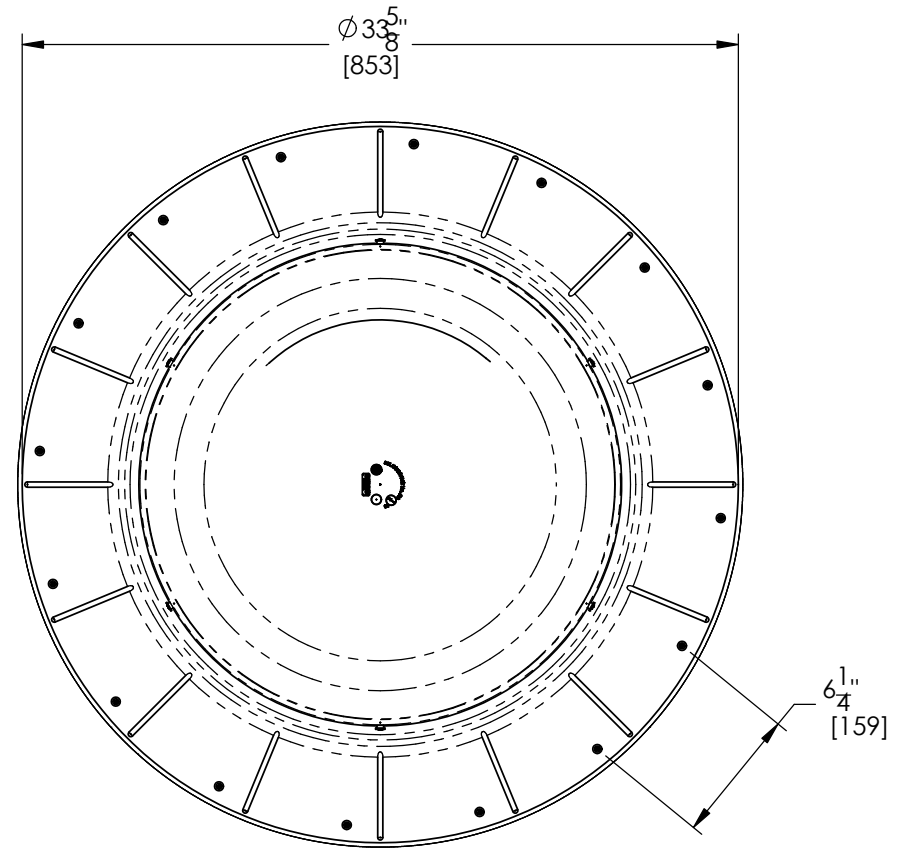
- NOTES:
1. DIMENSIONS IN BRACKETS ARE METRIC UNLESS OTHERWISE SPECIFIED.
 2. 6" MIN. CLEARANCE SHOULD BE MAINTAINED FROM ALL SOLATUBE COMPONENTS AND OTHER PLENUM ELEMENTS.



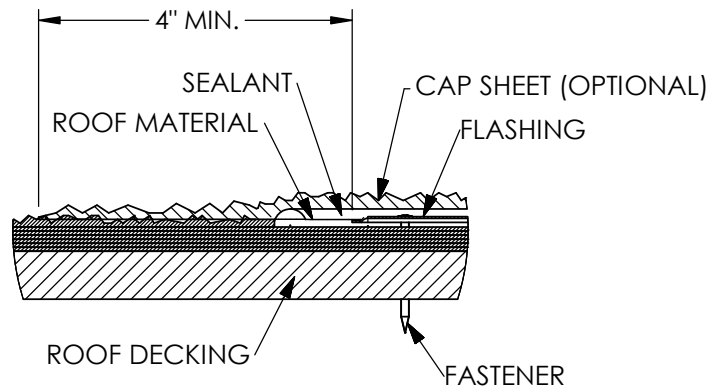
**DETAIL B
SCALE 3 : 1**



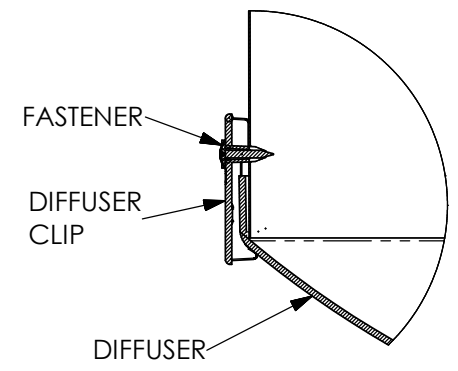
**FULL SECTION
SCALE 1:1**



**TOP VIEW
SCALE 1 : 1**



**DETAIL C
SCALE 3 : 1**



**DETAIL D
SCALE 3 : 1
3 PLCS.**

UNLESS OTHERWISE SPECIFIED:		SOLATUBE INTERNATIONAL, INC. COPYRIGHT 2002 WWW.SOLATUBE.COM			
DIMENSIONS ARE IN INCHES TOLERANCES: ANGULAR: ±0.5° .X ± .1 .XX ± .02 MATERIALS ± .005		DRAWN BY STEVENS	DATE 2/23/04	TITLE: 21" SELF-FLASHING OPEN CEILING	
FINISH --	DO NOT SCALE DRAWING	CHECKED BY --	DATE --	SIZE D	DWG. NO. 21-SF-OC
		APPROVED BY --	DATE --	SCALE: 1:1	REV A
				SHEET 1 OF 1	