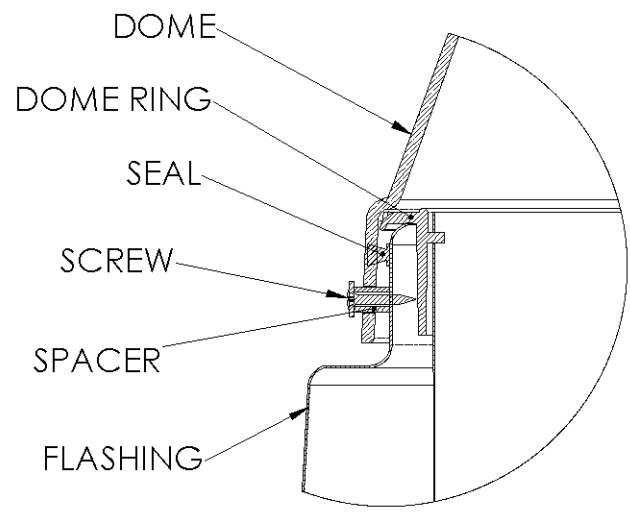
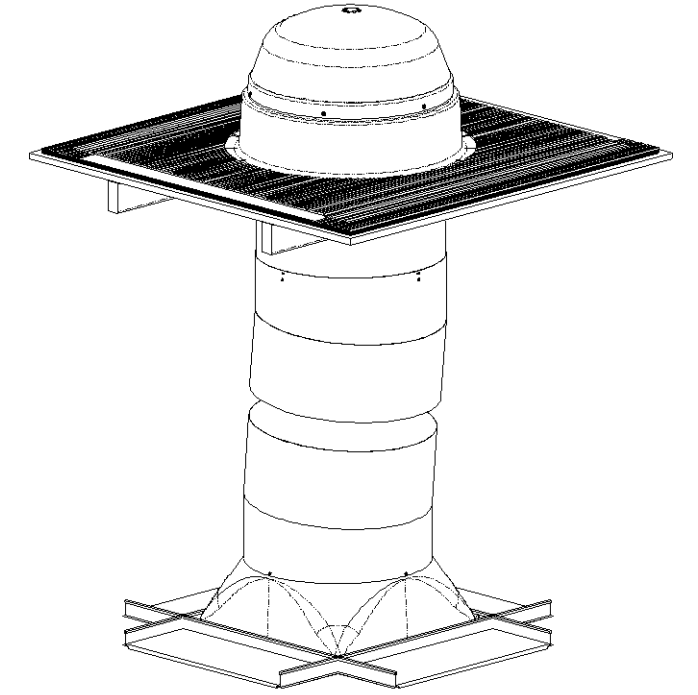


REVISIONS				
ECO	REV.	DESCRIPTION	DATE	INC.
	A	RELEASED	2/27/2004	

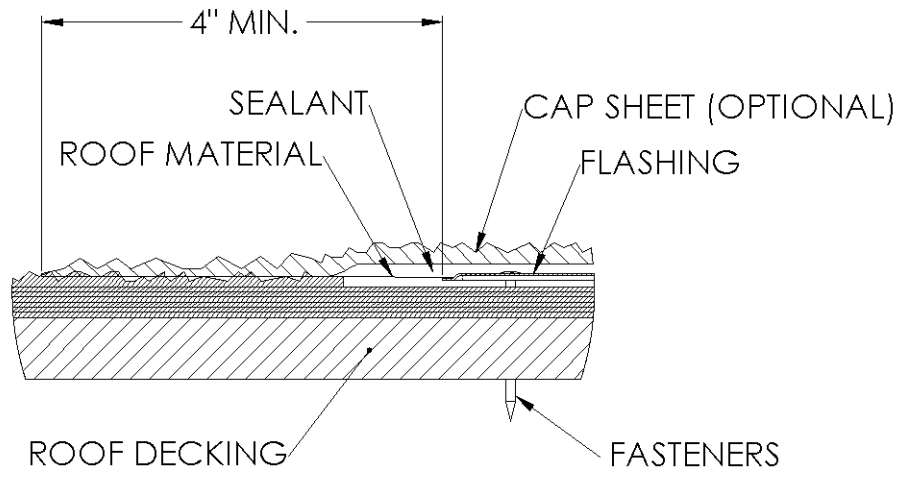
21" SOLATUBE SELF-FLASHING SUSPENDED CEILING

NOTES:

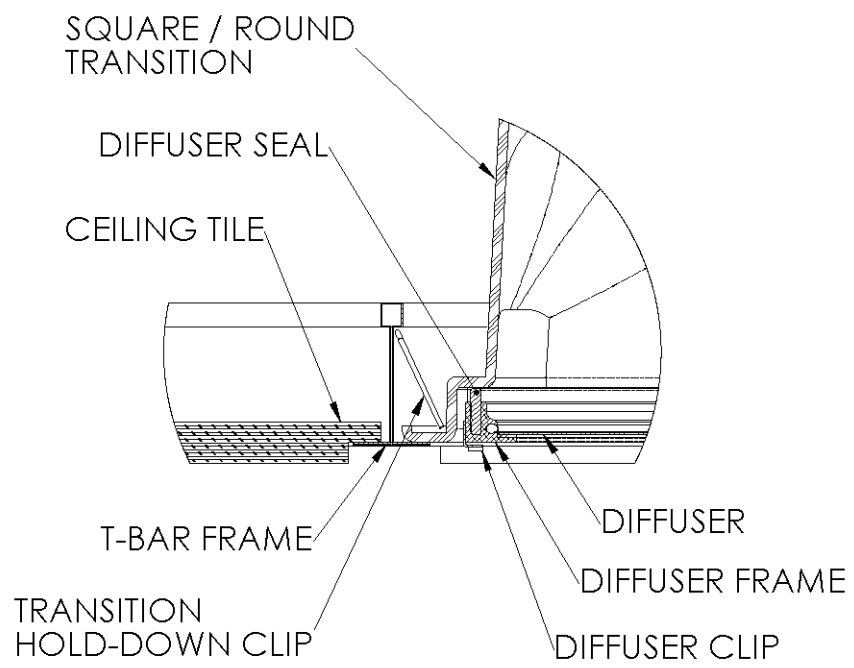
1. DIMENSIONS IN BRACKETS ARE METRIC UNLESS OTHERWISE SPECIFIED.
2. 6" MIN. CLEARANCE SHOULD BE MAINTAINED FROM ALL SOLATUBE COMPONENTS AND OTHER PLENUM ELEMENTS.



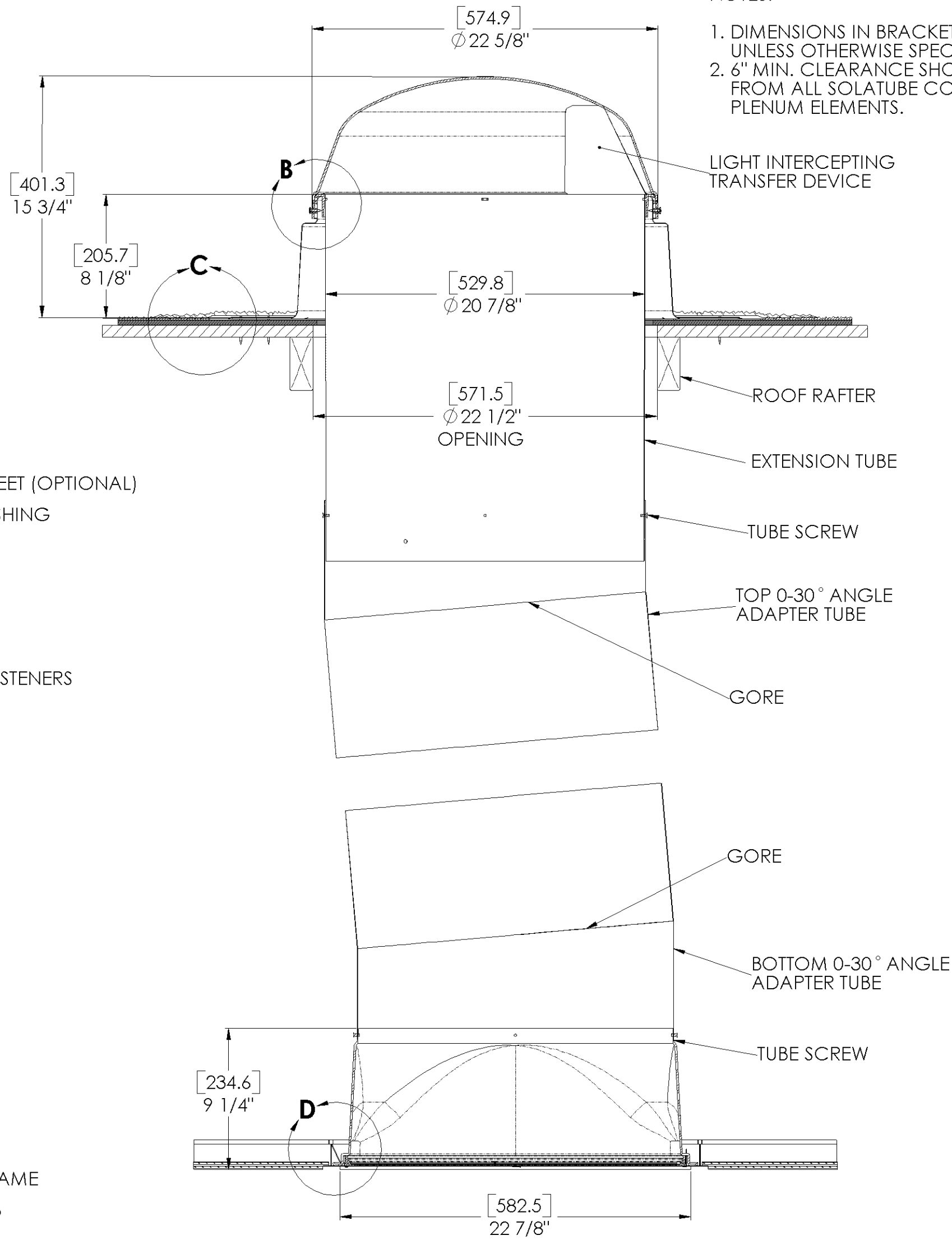
**DETAIL B
SCALE 3 : 1**



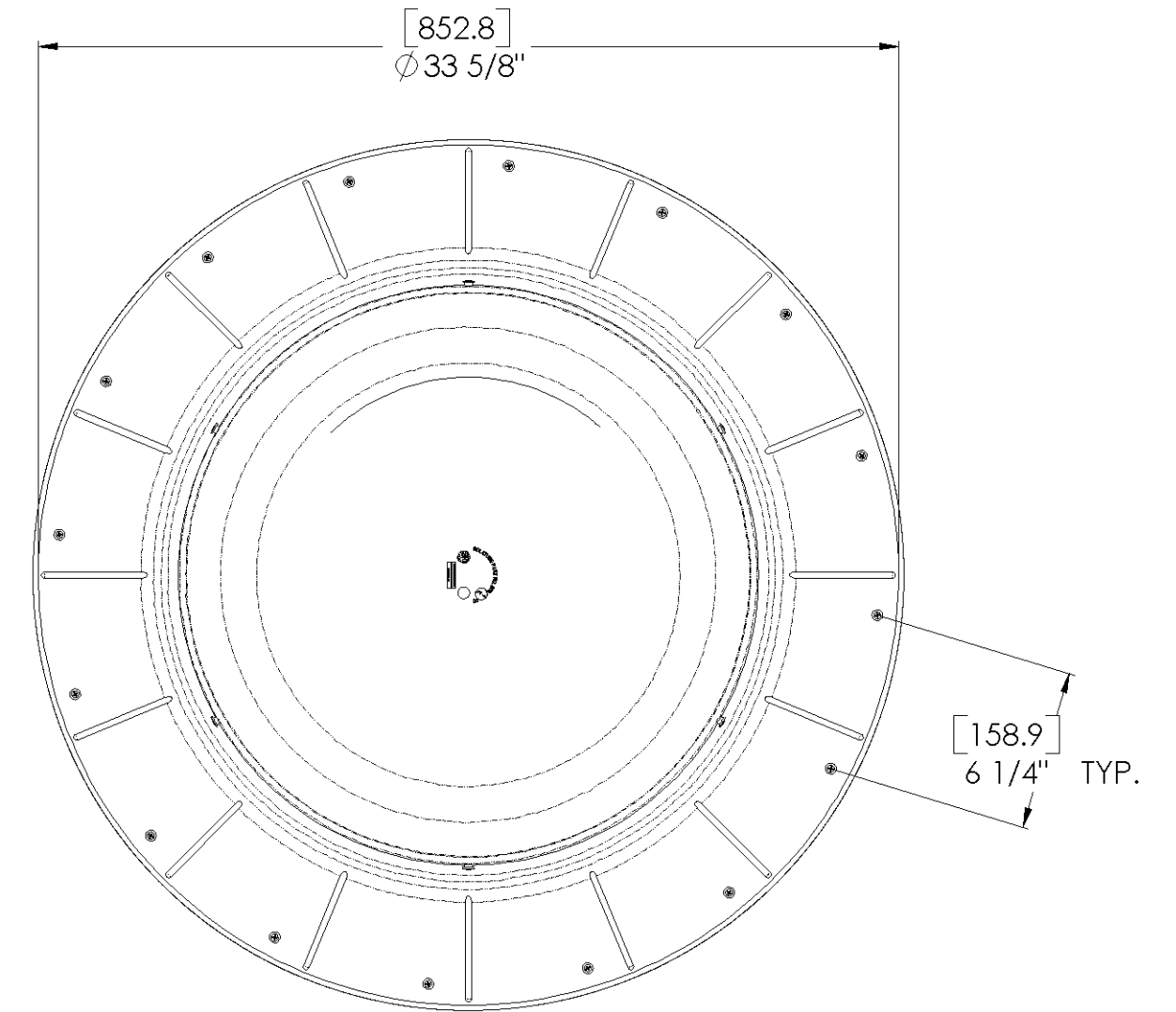
**DETAIL C
SCALE 3 : 1**



**DETAIL D
SCALE 3 : 1**



**FULL SECTION
SCALE 1:1**



**TOP VIEW
SCALE 1 : 1**

UNLESS OTHERWISE SPECIFIED: DIMENSIONS ARE IN INCHES TOLERANCES: ANGULAR: ±0.5° X ± .1 .XX ± .02 XXX ± .005		SOLATUBE INTERNATIONAL, INC. COPYRIGHT 2002 WWW.SOLATUBE.COM			
MATERIAL --	DRAWN BY STEVENS	DATE 2/23/04	TITLE: 21" SELF-FLASHING SUSPENDED CEILING		
FINISH --	CHECKED BY --	DATE --	SIZE D	DWG. NO. 21-SF-SC	REV A
DO NOT SCALE DRAWING		APPROVED BY --	DATE --	SCALE: 1:1	SHEET 1 OF 1