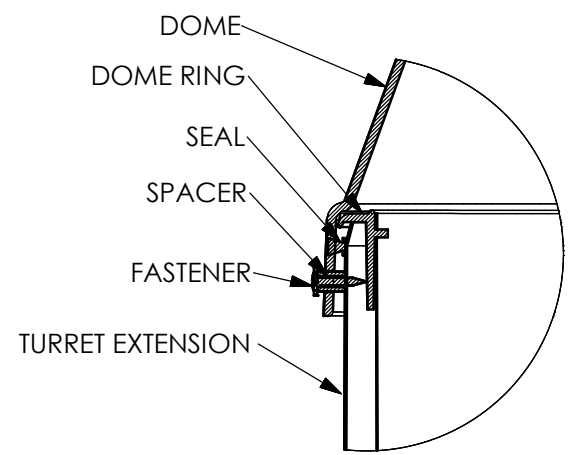
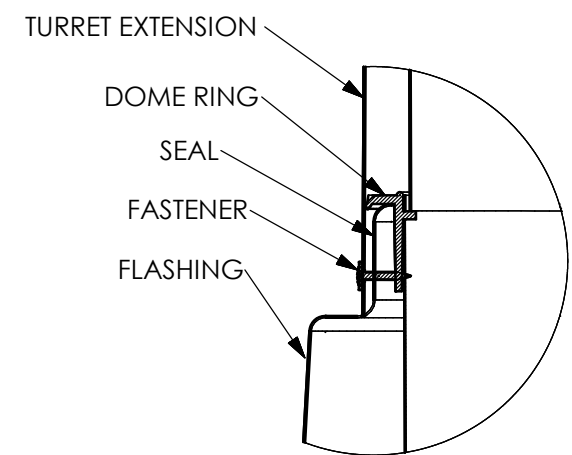


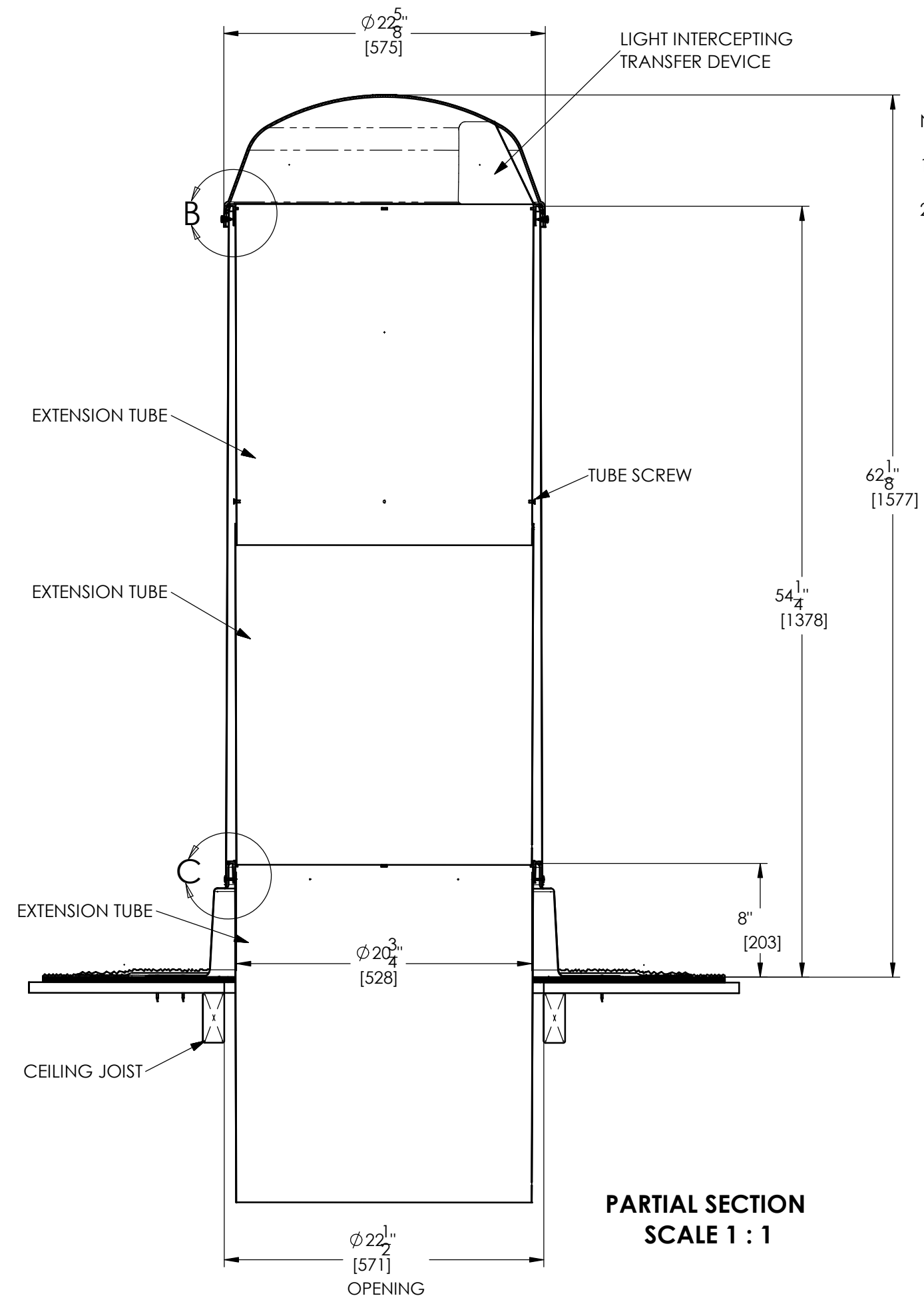
REVISIONS				
ECO	REV.	DESCRIPTION	DATE	INC.
	A	RELEASED	2/27/2004	



DETAIL B
SCALE 3 : 1



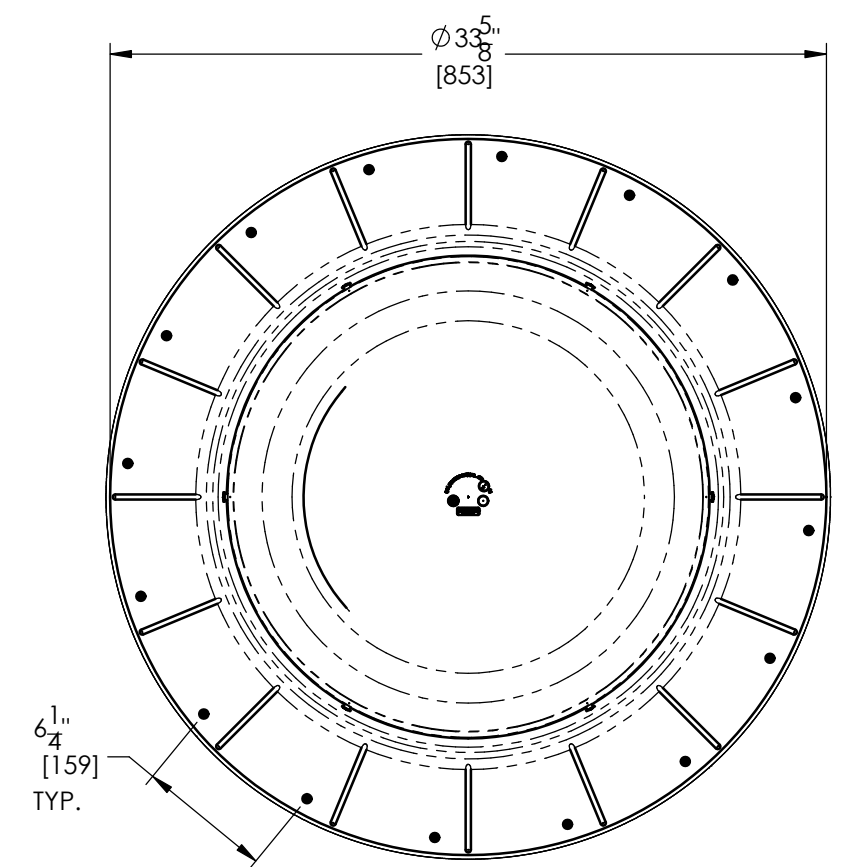
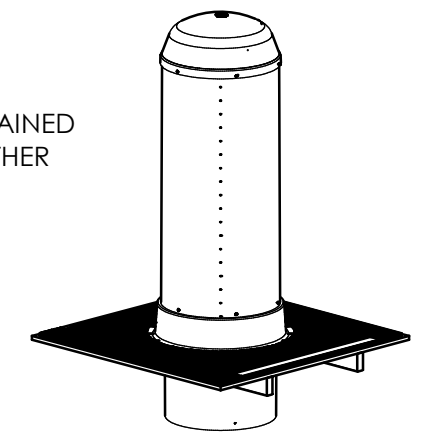
DETAIL C
SCALE 3 : 1



PARTIAL SECTION
SCALE 1 : 1

NOTES:

1. DIMENSIONS IN BRACKETS ARE METRIC UNLESS OTHERWISE SPECIFIED.
2. 6" MINIMUM CLEARANCE SHOULD BE MAINTAINED FROM ALL SOLATUBE COMPONENTS AND OTHER PLENUM COMPONENTS.



TOP VIEW
SCALE 1 : 1

UNLESS OTHERWISE SPECIFIED:		SOLATUBE INTERNATIONAL, INC. COPYRIGHT 2002 WWW.SOLATUBE.COM			
DIMENSIONS ARE IN INCHES TOLERANCES: ANGULAR: $\pm 0.5^\circ$.X $\pm .1$.XX $\pm .02$ MATERIAL $\pm .005$		DRAWN BY STEVENS	DATE 3/19/04	TITLE: 21" SELF FLASHING W/ 48" TURRET EXTENSION	
FINISH --	DO NOT SCALE DRAWING	CHECKED BY --	DATE --	SIZE D	DWG. NO. 21-SF-TUREXT
		APPROVED BY --	DATE --	REV A	SHEET 1 OF 1