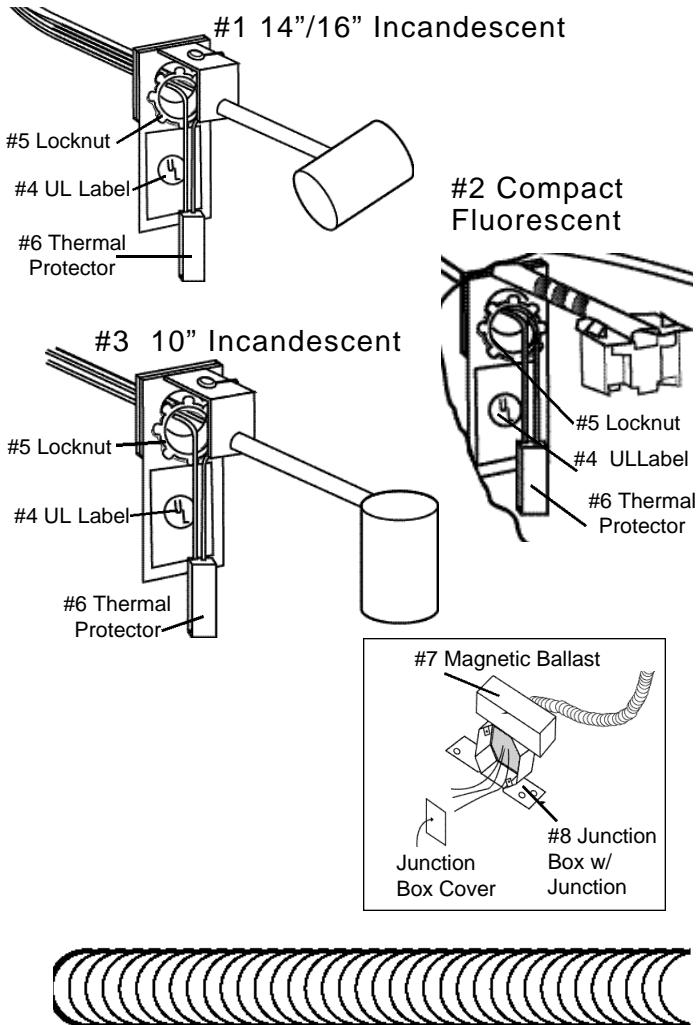


Solatube® Light Add-on Kit Installation Instructions

LT1026
LT1000 or
LT1400/LT1600

Required By UL



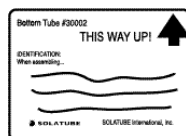
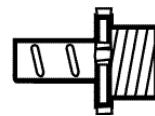
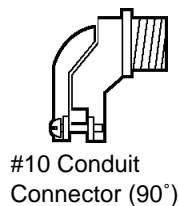
PARTS LIST

PART #	DESCRIPTION	QUANTITY
ASSEMBLY		
1	14\"/>	1
2	Assembled Compact Fluorescent Lamp Holder and Wires	1
3	10\"/>	1
COMPONENTS WITHIN ASSEMBLY		
4	UL Label	1
5	Connector Locknut	1
6	Thermal Protection Device (TPD)	1
7	Magnetic Ballast (Pre-Assembled)	1
8	Junction Box with Cover	1
<i>(#7 & 8 10\"/> </i>		
FASTENER PARTS-BAGGED		
9	Flexible Conduit 3/8 (9mm)	1
10	Conduit Connector 3/8" (9.5mm), 90°	1
11	Anti-Short Bushing (ASB) (Red)	1
12	Conduit Connector 3/8" (9.5mm) Straight	1
13	Wire Connecting Nuts (Orange)	2
14	Ground Wire Crimp Sleeve (Copper)	1
15	Ground Screw	1
16	Foam Seal 1/8" x 3/4" x 4" (19 x 100mm)	1
17	Bottom Tube Identity Label	1
OPTIONAL PARTS		
18	Switch Adapter	1
19	Fluorescent Lamp (26 Watt Quad 2 Pin) - 10\"/>	

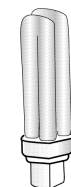
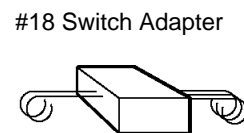
FASTENER PARTS-BAGGED

OPTIONAL PARTS

#9 Flexible Conduit



OPTIONAL PARTS





WARNING



Do not proceed with the installation until you have read the entire instructions, including these warnings

Solatube (seller) assumes no responsibility or obligation whatsoever for the failure of an architect, contractor, installer, or building owner to comply with all applicable laws, ordinances, building codes, energy codes, fire and safety codes and requirements, and adequate safety precautions. Installation of this product should be attempted only by individuals skilled in the use of the tools and equipment necessary for installation. Protect yourself and all persons and property during installation. If you have any doubt concerning your competence or expertise, consult a qualified expert before proceeding.

Install at your own risk!

Solatube product installations may be dangerous and include the potential for death, personal injury and property damage. The hazardous conditions include but are not limited to the following:

- During installation, the Solatube's reflective tubes may focus sunlight, causing intense heat or fire. Remove protective film only after the parts have been installed. Prior to and during installation, do not leave tubes in contact with combustible materials or unattended, especially near direct sunlight. Avoid skin burns.
- Sheet metal edges may be sharp. Use protective gloves to avoid lacerations.
- Skylight installations require climbing and working at dangerous heights, including on ladders, scaffolding, roofs and in attic spaces. Risk of death, personal injury and property injury may result from a fall, or from falling objects. Use extreme caution to minimize risk of accidental injury, including, but not limited to the following procedures:
 - Clear area below your work space of all people, animals and other items.
 - Avoid working on surfaces that are slippery or wet.
 - Use foot-wear with excellent traction.
 - Use only strong, well supported ladders.
 - Work only in calm dry weather.
 - When in the attic, ensure that your weight is supported at all times with structurally sound framing; dry wall material is not designed to carry a person's weight.
- To reduce the risk of fire, electric shock, and personal injury; basic safety precautions should always be followed when using electric tools, including always wearing safety goggles or other suitable eye protection, and ensuring work area is clear of all electrical wires, gas pipes, water pipes, and other obstacles.
- When working in the attic or other dusty areas, use of a mask or respirator is recommended to avoid lung irritation. Attic spaces may be dark, confined, and subject to extreme temperatures. Beware of sharp protruding objects. Do not attempt installation without having someone within range of your voice or close enough to come to your aid if necessary.

WARNING

1. Risk of fire and electric shock. Most dwellings built before 1985 have supply wire rated 60°C. This product is to be installed by qualified electrician's only
2. To reduce the risk of fire, use only:
 - 1) Incandescent Lamps Type A19 and T19; 100 Watt Maximum
 - 2) Fluorescent Lamps, Medium Base - 20 Watt Maximum
 - 3) Compact Fluorescent (2 Pin Quad Tube) 26 Watt only
 - 4) To reduce the risk of shock, disconnect power before installation or service.

Caution: Before beginning installation, understand the following:

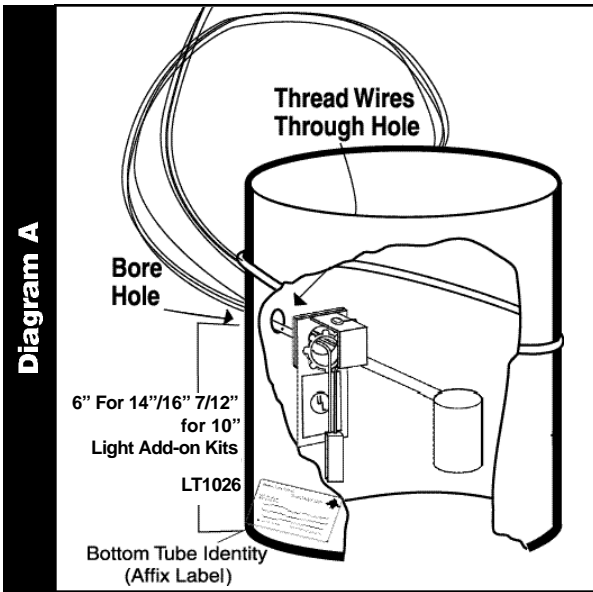
1. Read through installation instructions. Follow all electrical codes, building codes, and the specific requirements within your jurisdiction.
2. Thermally Protected Type IC (insulation may contact housing).
3. Intended for installation with 1/2" (12.7mm) minimum spacings from the fixture to cavity surfaces (side wall and overhead building member) and (25.4mm) minimum spacings to adjacent fixtures.
4. Suitable for wet and damp locations such as laundry, bathroom and shower stall. Must use GFCI circuit if located within a bath/shower stall. Use only as a component of SOLATUBE tubular skylight products, including bathroom ventilators.

SPECIFICATIONS: Light Add-on Kit - 10" Incandescent, 14"/16" Incandescent, Compact Fluorescent

Fixture:	Recessed Incandescent Compact Fluorescent LT1026 - Thermally Protected Type IC. suitable for wet conditions		
Supply:	120volt - 60Hz		
Amps:	10" Incandescent-.83	14"/16" Incandescent- 1.66 Amp	Compact Fluorescent-.46 Amp
Cycle:	60 Cycle	60 Cycle	60 Cycle
Bulb:	Incandescent Lamp - 100Watt Maximum, Fluorescent Lamp Medium Base -20 Watt Maximum, Compact Fluorescent Lamp. For 1026 kit use Compact (2 Pin Quad Tube) 26 Watt Only		

- Installation:
- 1) To be installed by qualified electrician's only.
 - 2) Disconnect power before installation.
 - 3) For supply connections, use wire rated at least 60°C.
 - 4) Access above ceiling to Junction Box is required.
 - 5) Blinking light may indicate improper lamp wattage or type, or insulation too close to fixture, or other condition causing overheating.
 - 6) 10" Incandescent or Compact Fluorescent Light Add-on Kit to be used only as a component of 10" (250mm) SOLATUBE or 10" (250mm)VS1000 Ventilated SOLATUBE.
 - 7) 14"/16" Incandescent Light Add-on Kit to be used only as a component of 14" (350mm) or 16" (400mm) SOLATUBE.

- Application:
- 1) Suitable for wet locations.
- Considerations:
- 2) Must use GFCI (Ground Fault Circuit Interrupter) - Protected Branch Circuit - if serviceable from bath or shower stall.
 - 3) You may add the 10" Light Add-on Kits or 14"/16" Light Add-on Kit to an existing switch circuit so that fixtures operate simultaneously. However the optional switch adapter may be used to enable an existing switch to control the original fixture as well as the Light Add-on Kit separately without running additional wiring to the switch.
 - 4) Type IC - NOTE: Bottom tube housing, "finishing section", may contact insulation.



OVERVIEW

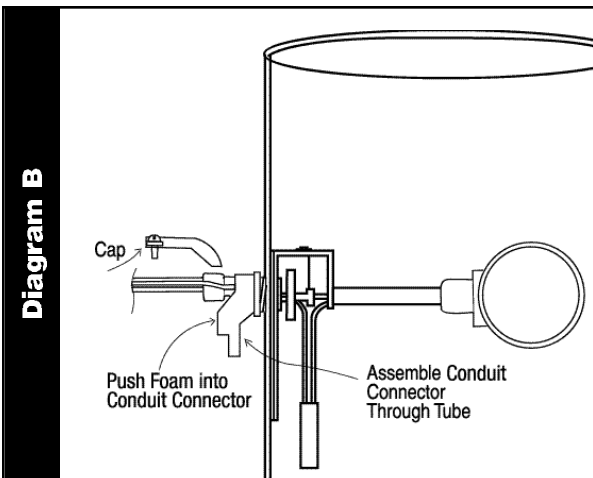
These instructions address only mounting and wiring of SOLATUBE 10" Incandescent or 10" Compact Fluorescent into the 10"(250mm) and 14"/16" Incandescent Light Fixture into the 14" (350mm) or the 16" (400mm) SOLATUBE skylight. Solatube Light Add-on Kits fit new or existing installations.

ASSEMBLY

LAMP BRACKET-LOCATION

Step 1. Follow Solatube Standard 10" (250mm), 14" (350mm) or 10" Ventilated or 16" (300mm) instructions to assemble the Bottom Tube and ceiling ring. Using a spur bit, bore a 7/8" (22.2mm) diameter hole through the tube wall, located 7 1/2"(190mm) for 10' Add-on Kits or 6" (152mm) for 14"/16" Add-on Kits up from the bottom of the Bottom Tube.

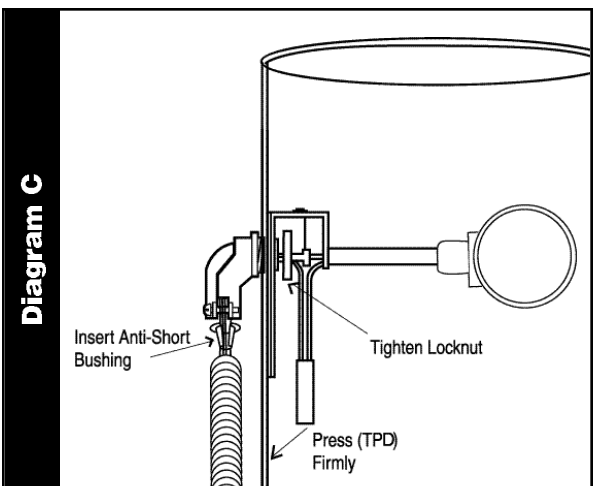
Peel the backing paper off the Bottom Tube identity label. Apply the label 1" (2.5mm) from the bottom, to the outer surface (the nonreflective surface) of the Bottom Tube (Diagram A).



WARNING: DO NOT MODIFY LOCATION. ALTERATION OF DISTANCE SPECIFIED VOIDS WARRANTY AND IMPAIRS SAFE TEMPERATURE PERFORMANCE.

LAMP BRACKET-HOUSING ASSEMBLY

Step 2. Peel protective liner from the Bottom Tube prior to attaching the lamp bracket. Thread the wires out through the 7/8" (22.2mm) hole in the tube, then through 90° conduit connector (Diagram A). Push the connector through the tube wall and lamp bracket. For 10" Add-on Kit: Adjust the bracket and single lampholder to face down (Diagram A). For 14"/16" Add-on Kit: Adjust the bracket and twin lamp holder so that the lamp sockets face the sides of the tube (Diagram B). Turn the connector to face the junction box and secure it with the connector locknut (min 2 threads) (Diagram C). Remove the cap from the back of the 90° connector and wrap the foam seal around the wires. Using a slotted screwdriver, push the foam into the connector to form a dust seal. Replace the cap (Diagram B).



THERMAL PROTECTION DEVICE

Step 3. Peel the backing paper off of the thermal protection device (TPD). Do not touch adhesive or stretch the wires. Press the TPD firmly onto the tube wall off to one side of the lambracket approximately 3" (76mm) below the 7/8" (22.2mm) hole (Diagram C).

CONDUIT/JUNCTION BOX ASSEMBLY

Step 4. Feed the wires through the flexible conduit. Insert the anti-short bushing (ASB) over the wires between the conduit and the 90° connector so the cone of the ASB enters the conduit (Diagram C).

Fit the conduit into the 90° connector and tighten screws. At opposite ends of conduit, push the exposed wires through the straight connector and screw connector into the conduit. Feed wires into junction box (J/B), then fasten conduit connector to box with connector locknut (Diagram D). Junction box not provided- can obtain at local hardware store. A magnetic ballast pre-assembled to a junction box with cover is provided with compact fluorescent kit only.

INSTALLATION

Step 5. Complete Solatube standard 10" (250mm), 14" (350mm) or 16" (400mm) or 10" (250mm) Vented Instructions to install the Bottom Tube in the ceiling. J/B must be accessible behind the ceiling.

WIRING

ALL WIRING MUST COMPLY WITH LOCAL CODES, BE PROPERLY GROUNDED, AND J/B MUST BE ACCESSIBLE ABOVE CEILING. DISCONNECT POWER BEFORE PROCEEDING.

Step 6. Feed (hot) wire of 120 volt AC supply cable (with ground) through a switch then connect the cable to J/B. Bond the supply ground wire to the J/B with #10 ground screw provided. Leave 6" pigtail for fixture ground wire connection

(Diagram E) 10" Incandescent or 14"/16" Incandescent Light Add-on Kit

Step 7a. Follow the wiring diagram shown in Diagram E. Using the ground crimp sleeve provided, connect the fixture ground wire to the supply ground wire. Using wire nuts provided, connect the black fixture wire to the hot supply wire and connect the white fixture wire to the common supply wire. Install cover on J/B.

LT1026 Compact Fluorescent Light Kit.

Step 7b. Follow the appropriate wiring diagram for light only fan/light combination as shown in (Diagram F). Using ground crimp sleeve provided, connect fixture ground wire to supply ground wire pigtail. Using wire nuts provided connect the black fixture wire to the red ballast wire and the white fixture wire to the blue ballast wire.

Next, connect the black ballast wire to the hot supply wire and the white ballast wire to the common supply wire. Install cover on junction box.

Step 8. Install lamps in fixture. Use maximum 100 watt incandescent lamps or Fluorescent Lamp Medium Base maximum 20 watt. Use only 26 Watt Quad Tube (2) Pin Compact Fluorescent in Compact Fluorescent Light Add-on Kit. As specified on UL Label on lamp bracket.

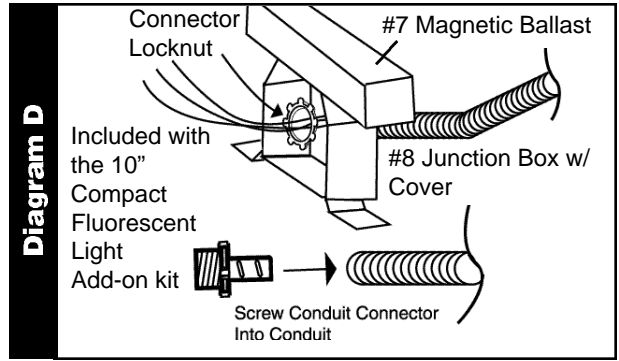
NOTE: The UL Label is approved for Solatube 10" Incandescent or Compact Fluorescent Light Add-on Kit, or 14"/16" Incandescent Light Add-on Kit only. Improper use of this label will void the warranty of the product and will negate UL listing.

You may now enjoy the convenience of the Solatube Light Kit, in addition to your Solatube high performance natural lighting.

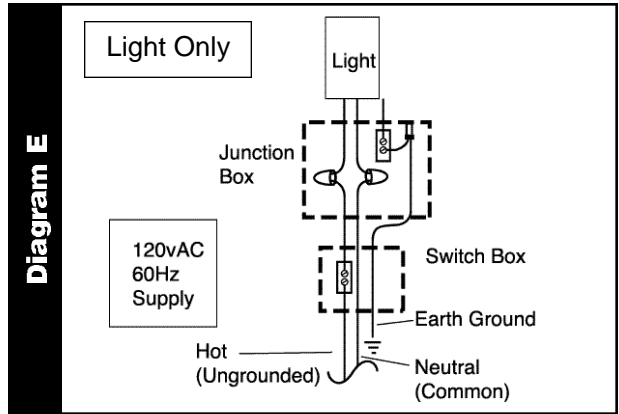


Solatube International, Inc.
2210 Oak Ridge Way, Vista, CA92083-8341
(760) 597-4400

WARNING: 1026 BALLAST MAY NOT CONTACT COMBUSTIBLE MATERIAL



INCANDESCENT LIGHT



26 WATT COMPACT FLUORESCENT

